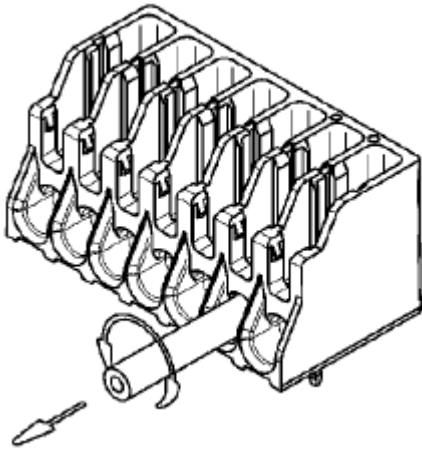


Disconnect wires at different terminal types

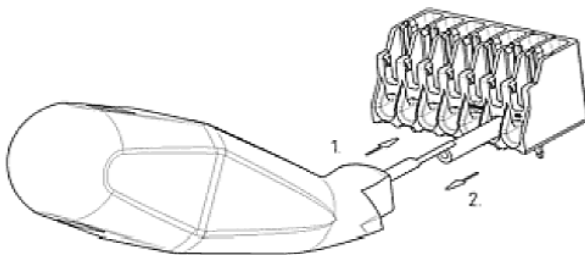
IDC terminal (Insulation Displacement Connection, height 12.3 mm)

Disconnect by twisting and pulling



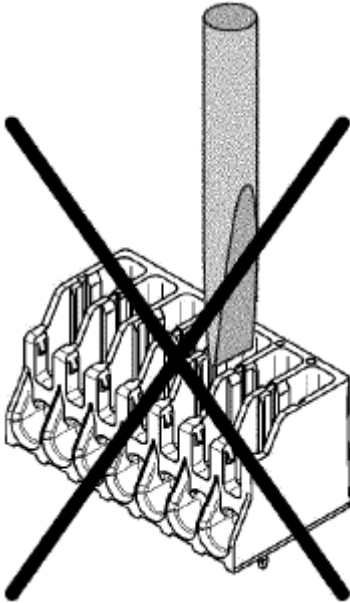
Disconnect by using “wiring release tool”

1. Insert tool (Tridonic article number: 89003192) above the wire
2. Pull out the wire



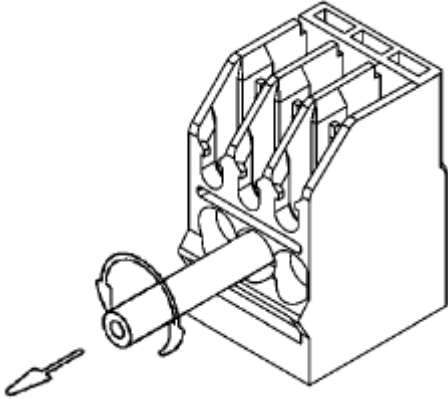
Disconnect by using screwdriver is **NOT allowed**

Disconnecting by using a screwdriver is NOT allowed because the contact can be damaged!

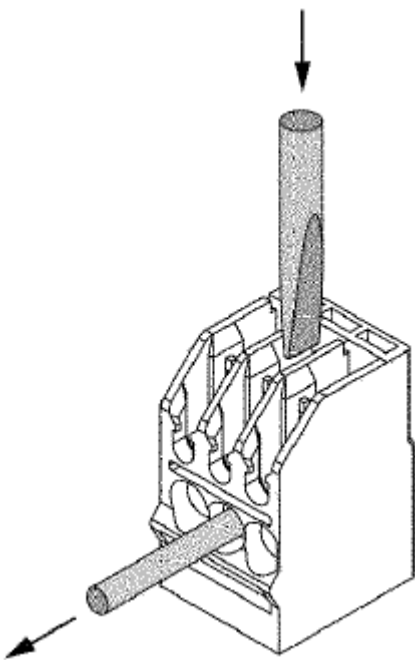


IDC terminal (Insulation Displacement Connection, height 19.2 mm)

Disconnect by twisting and pulling

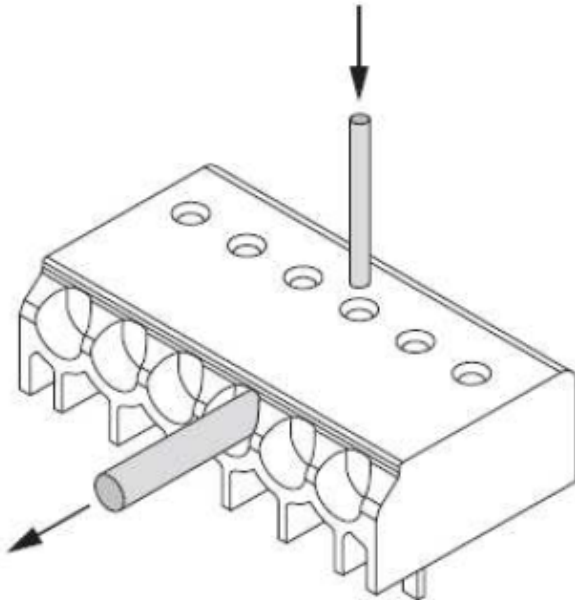


Disconnect by using a small screwdriver



Wago 744 terminal (height 6.4 mm)

Disconnect by twisting and pulling or using a $\varnothing 1$ mm release tool



If the wires are long enough the fastest way to replace the whole ballast from installation is to cut all wires as close to the old ballast as possible. Then the wires can be stripped again to connect the new ballast.