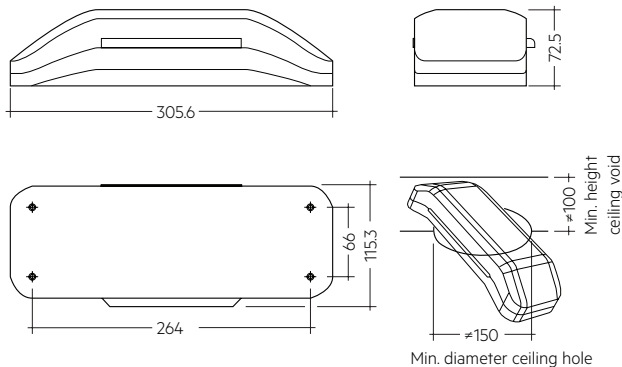
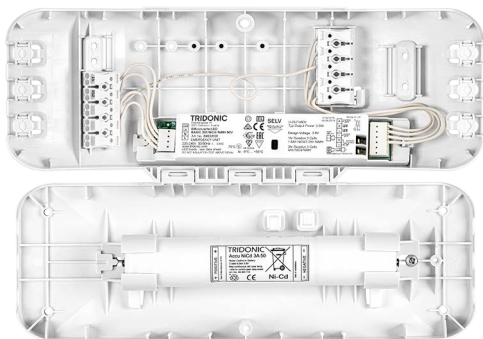


Non-maintained emergency lighting LED Driver kit for manual testing for LED modules
 with a forward voltage of 10 to 54 V
 3 h rated duration

EM converterPACK BASIC Installation and wiring instructions



Description

EM converterPACK BASIC is designed for use with emergency luminaires in conjunction with LED modules and LED Drivers from Tridonic and other manufacturers. It is compatible with LED light modules for linear/area as well as downlight applications and can be used with fixed output or dimming LED Drivers of up to 150 W power. The incorporated EM converterLED is approved to IEC / EN 61347-2-7 and provides a battery charge current that is within the range of charge currents quoted on the Battery Manufacturers Declaration Form for the ended battery types. This compatibility allows converted luminaires to comply with the relevant parts of IEC / EN 60598-2-22.

Warranty

- 5 years excluding batteries
- Batteries: 1 year NiCd, 3 years LiFePO₄

Technical data

Rated supply voltage	220 – 240 V
Mains frequency	50 / 60 Hz
Typ. λ (at 230 V, 50 Hz)	0.6C
LED module forward voltage range	10 – 54 V
Output current	see EM converterLED datasheet
Time to light	< 0.25 s from detection of emergency event
Overvoltage protection	320 V (for 48 h)
U-OUT (including open- / short-circuit and double load)	60 V
Max. open circuit voltage	60 V
Battery charging time	24 h
Rated duration	3 h
Number of cells	3
Ambient temperature range ta	+5 ... +45 °C
Max. casing temperature tc (of EM converterLED inside)	75 °C
Mains voltage changeover threshold	according to EN 60598-2-22
Mains surge capability (between L – N)	1 kV
Mains surge capability (between L/N – PE)	2 kV
Type of protection	IP20
Life-time	up to 100,000 h
Dimensions LxWxH	305.6 x 115.3 x 72.5 mm

Further information can be found in the respective datasheets on www.tridonic.com.

Ordering data

Type	Article number	Packaging carton	Packaging Pallet	Weight per pc.
EM converterPACK BASIC 233 NiCd 50V	89800706	1 pc(s).	126 pc(s).	0.810 kg
EM converterPACK BASIC 232A LiFePO ₄ 50V	89800707	1 pc(s).	126 pc(s).	0.570 kg

Status indication LED (not included)

Type	Article number	Packaging, bag	Packaging, carton	Weight per pc.
LED EM green, 1.0 m CON	89800269	25 pc(s).	200 pc(s).	0.015 kg
LED EM green, HO 1.0 m CON	89800271	25 pc(s).	200 pc(s).	0.015 kg
LED EM green, 0.6 m CON	89800472	25 pc(s).	200 pc(s).	0.009 kg
LED EM green, HO 0.6 m CON	89800473	25 pc(s).	200 pc(s).	0.009 kg
LED EM green, 0.3 m CON	89800270	25 pc(s).	200 pc(s).	0.005 kg
LED EM green, HO 0.3 m CON	89800272	25 pc(s).	200 pc(s).	0.005 kg

Test switch (not included)

Type	Article number	Packaging, bag	Packaging, carton	Weight per pc.
Test switch EM 3	89899956	25 pc(s).	200 pc(s).	0.013 kg

ACD EM LED INDICATOR HOLDER (not included)

Type	Article number	Colour	Packaging, carton	Weight per pc.
ACD EM LED INDICATOR HOLDER	28002189	White	10 pc(s).	0.010 kg

Components matrix

Type	Article number	EM converterLED		Battery	
		Type	Article number	Type	Article number
EM converterPACK BASIC 233 NiCd 50V	89800706	EM converterLED BASIC 203 NiCd/NiMH 50V	89800559	Accu-NiCd 3A 55	28002773
EM converterPACK BASIC 232A LiFePO4 50V	89800707	EM converterLED BASIC 202A MH/LiFePO4 50V	89800708	ACCU-LiFePO4 4.5Ah 3A CON	28002320

Further information can be found in the respective datasheets on www.tridonic.com.

Important

These instructions contain important safety information, read and follow them carefully. Tridonic will not accept any responsibility for injury, damage or loss, which may arise as a result of incorrect installation, operation, maintenance or disposal.

Isolate switched and unswitched mains and negative battery supply before installing or maintaining.

Insulation testing with 500 V DC is only allowed between the line and neutral connected together and the earth.

Note to the installer:

Please ensure this leaflet is made available to the user and/or maintenance engineer together with a test record card.

Conversion

1. It is recommended to carry out the conversion of a luminaire in accordance with ICEL 1004.
2. Ensure that the module and associated battery operate within their temperature ratings.
3. After conversion of a luminaire existing components must continue to operate below their temperature rating.
4. Wire the module and battery into the luminaire according to the wiring diagram.
5. Clearly identify the new unswitched supply to the converted luminaire.
6. Check operation of the LED charge indicator by connecting the unswitched line.
7. Check operation of the LED in the emergency mode by disconnecting the unswitched supply after 15 minutes.
8. Relabel the luminaire to identify the company responsible for the conversion.
9. Fill in test record card if the luminaire is being converted on site.
10. Mark the date of commissioning on the battery label.

Failure to do as mentioned above will invalidate any warranty claims.

LED Driver compatibility

The EM converterPACK emergency unit use 3 pole technology and is compatible with most LED Drivers on the market, however it is important to check that the rating of the LED Driver does not exceed the values specified below:

- The max. allowed output current rating of the associated LED Driver is 2.4 A peak (Current rating of switching relays of EM converterLED)
- The max. allowed inrush current rating of the associated LED Driver is 60 A peak for 1 ms or 84 A for 255 µs (inrush current rating of switching relay of EM converterLED)
- The max. allowed output voltage of the associated LED Driver applied to the EM converterLED output is 450V (voltage withstand between adjacent contact of the single switching relay of the EM converterLED)
- The max. allowed LED load of the associated LED Driver is 150 W in operation. The load must be an LED module.

Maximum lead length

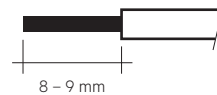
LED	1 m
Status indication LED	1 m
Test switch	1 m

Wiring type and cross section

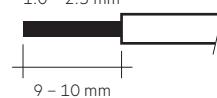
Strip from the cables to ensure perfect operation of terminals.

Wire type	Cross section	Strip length at cross section ≤ 1 mm ²	Strip length at cross section > 1 mm ²
Solid	0.5 – 1.0 mm ²	8 – 9 mm	9 – 10 mm
Stranded	0.75 – 2.5 mm ²	8 – 9 mm	9 – 10 mm

wire preparation:
0.5 – 1.0 mm²

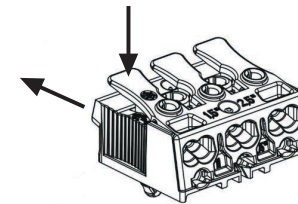


wire preparation:
1.0 – 2.5 mm²



max. = 10 mm
min. = 6,3 mm

Loosen wiring



Wiring guidelines

- EM converterLED BASIC:
The LED terminals, battery and indicator LED terminals are classified as SELV (output voltage < 60 V DC). Keep the wiring of the input terminals separated from the wiring of the SELV equivalent terminals or consider special wiring (double insulation, 6 mm creepage and clearance) when these connections should be kept SELV.
- The output to the LED is DC but has high frequency content, which should be considered for good EMC compliance.
- Separate LED leads from the mains connections and wiring for good EMC performance.
- Maximum lead length on the LED terminals is 1 m. For a good EMC performance keep the LED wiring as short as possible.
- Maximum lead length for the Test switch and Indicator LED connection is 1 m. Separate the test switch and Indicator LED wiring from the LED leads to prevent noise coupling.
- To avoid the damage of the control gear, protect the wiring against short circuits to earth (sharp edged metal parts, metal cable clips, louver, etc.)

To ensure that a luminaire containing LED emergency units complies with EN 55015 for radio frequency conducted interference in both normal and emergency mode it is essential to follow good practice in the wiring layout.

Within the luminaire route the switched and unswitched 50 Hz supply wiring as short as possible and keep it as far away as possible from the LED leads. Through wiring may affect the EMC performance of the luminaire.

For maintained operation in conjunction with a LED Driver:
Do not exceed the length of LED leads. Note the length of the EM converterPACK leads to the LED module adds to the length of the leads from the LED Driver to the EM converterPACK when considering the lead length of the LED Driver.

General notes

Safety

This module and associated luminaire has both an unswitched mains electricity supply and a switched supply as well as an internal battery. To ensure safety disconnect all three before installation or maintenance work begins. (Isolate battery by disconnecting the negative lead.)

The batteries used together with this module contain an electrolyte which can be harmful to eyes and poisonous on open wounds. Take care when handling the batteries, to avoid puncturing the case. If electrolyte comes into contact with skin wash immediately in water.

Do not subject batteries to excessive charge or discharge currents. When working with batteries take care not to short circuit them with tools or jewellery etc.

Installation

Installation must be carried out by a competent person, in accordance with the national or local wiring regulations and BS 5266 Part 1; Code of Practice for Emergency Lighting. If in any doubt consult a qualified electrician.

Ensure that voltage and frequency requirements are compatible with the available supply.

Observe the correct polarity when making electrical connections.

Maintenance

The EM converterPACK contains a battery and EM converterLED which can be exchanged.

The EM converterLED does not contain serviceable parts and should not be opened. Doing so will invalidate the warranty.

Disposal of batteries

Do not incinerate batteries. Whilst disposing of small quantities is possible with little or no risk, large numbers require expert handling. Consult the relevant Local Authority Health and Safety Officers.

User obligation

Every care is taken by Tridonic, in the design and construction of its products, to ensure that as far as is reasonably practical, the products, when properly used are safe, and without risk to health.

The health and safety at work act, however, imposes upon the users of a Company's products, an obligation to ensure that all personnel involved with the installation, handling, use or disposal of the products are acquainted with the information provided by the Company, and are made fully aware of any precautions that need to be taken.

Modification

Do not attempt to modify this product. Any modification will invalidate the safety/approval marks, and may render the product unsafe. Tridonic will not accept responsibility for any modified product, or any injury damage, or loss, which may arise as a result of unauthorised modification.

Change of specification

Tridonic reserve the right to change specifications without prior notification or public announcement.

Housing properties

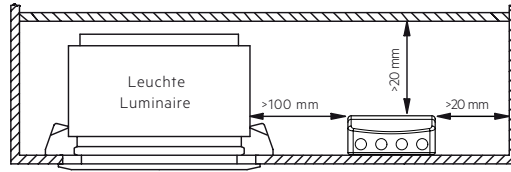
- Casing manufactured from polycarbonate
- Type of protection IP20
- Max. torque for the mounting screws: 0.8 Nm

Glow-wire test

according to EN 61347-1 with increased temperature of 850 °C passed.

Fixing conditions

Dry, acidfree, oilfree, fatfree. It is not allowed to exceed the maximum ambient temperature (t_a) stated on the device. Minimum distances stated below are recommendations and depend on the actual luminaire. Is not suitable for fixing in corner.



Additional information

Additional technical information at www.tridonic.com → Technical Data

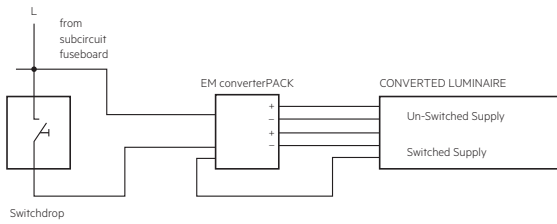
Guarantee conditions at www.tridonic.com → Services

Life-time declarations are informative and represent no warranty claim. No warranty if device was opened.

Testing

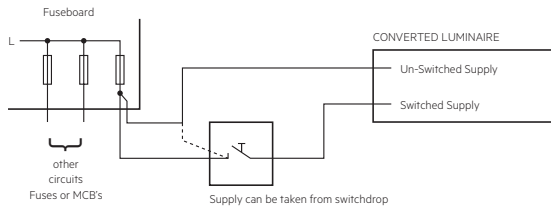
Test Circuit

To test luminaires converted with this module it is only necessary to provide a method for disconnecting the unswitched supply.



Keyswitch Testing

Derive the unswitched mains supply to this module from a circuit which is continuously energised. Ensure that this supply is not inadvertently interrupted at any time. Place switches associated with this supply either in a position inaccessible to unauthorised persons or in a position of a tamper proof type.



Fuseboard Testing

Testing

Emergency Lighting must be regularly tested to ensure that it is working and that the batteries achieve the specified duration.

Record results of testing on a test record card. Failure to do so will invalidate any warranty claims. BS 5266 specifies the following tests.

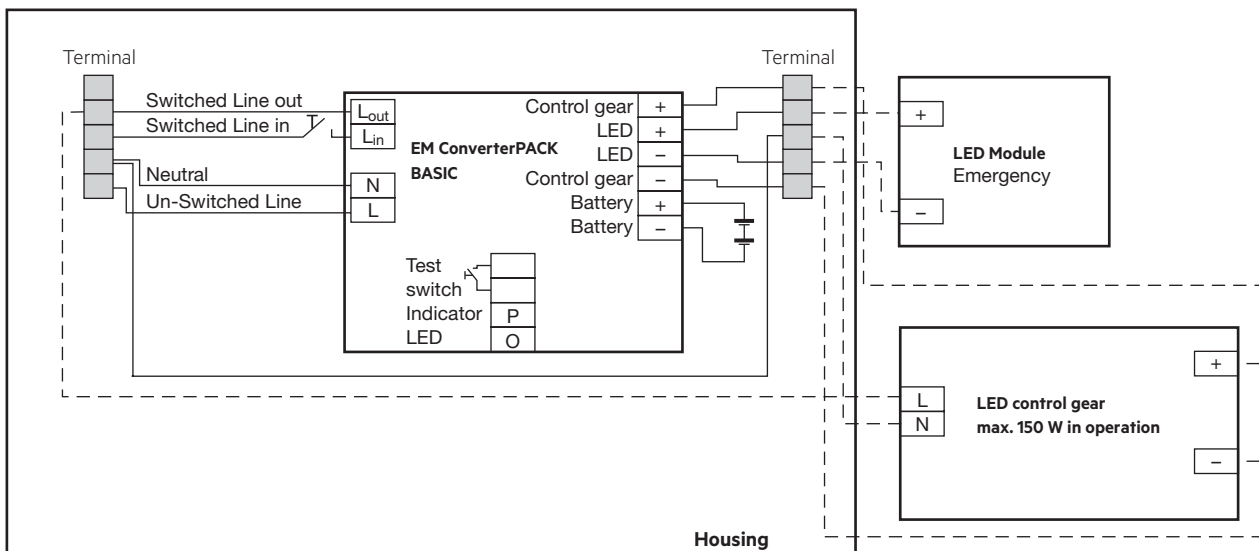
- Daily:**
 Check the charge indicator (LED) to see if it is alight.
- Monthly:**
 To check correct function, energise the converted luminaire from its battery for a short period.
 Recommendation: To ensure the full functionality expand the function test duration to min. 5 seconds.
- Yearly:**
 Energise the converted luminaire from its battery for a period of 3 hour duration.

Local regulations can deviate from the above and need to be fulfilled.

Replace batteries after 4 years or if the luminaire does not meet its rated duration.

Because the failure of the supply could occur immediately after testing, run the operational tests above at times of least risk. It is important that prior to the tests the unswitched supply must have been connected for at least 24 hours. Test by disconnecting the supply as described in "Test Circuit" which will simulate mains failure.

Wiring – EM converterPACK BASIC with a standard LED Driver and one LED module for mains and emergency operation



--- To be wired by customer
 — Pre-wired