



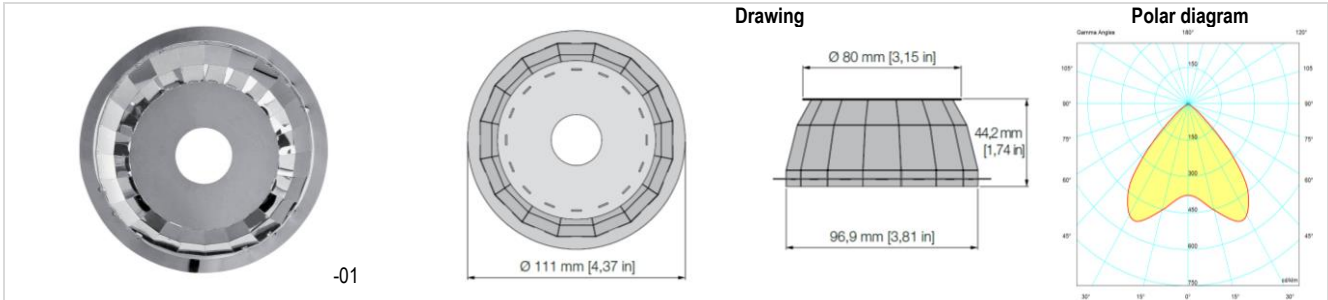
# reflect+A<sup>TM</sup>

---

**Ready to fit – Easy to use**

March 2015

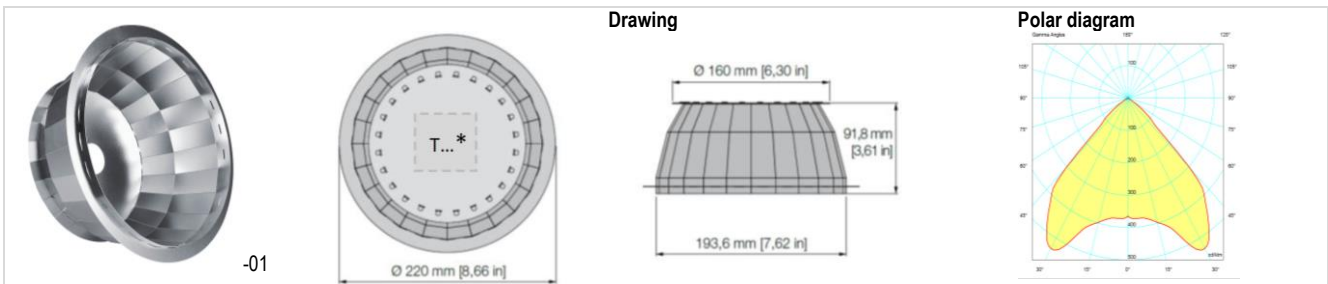
**DKL97**



team code	* Top fixing holes type	Light source	Luminous flux [lm]	Material	Colour	Dimensions [mm]	Luminous distribution	LOR [%]	Variant
9527-**-01	TZ	TRIDONIC Talexx SLE G4 (LES 19)	3000	V98127	Natural Aluminium	Ø =111; h=44.2	DKL	94	-NR
9530-**-01	TZ	TRIDONIC Talexx SLE G4 (LES 23)	5000	V98127	Natural Aluminium	Ø =111; h=44.2	DKL	93	-NR
9566-**-TT-17	TB&W*	TRIDONIC Talexx SLE (LES 17)	3000	V98127	Natural Aluminium	Ø =111; h=44.2	DKL	>94	-NR

\*Compatible with holder B+W 467 Typ A1

**DKL194**



team code	* Top fixing holes type	Light source	Luminous flux [lm]	Material	Colour	Dimensions [mm]	Luminous distribution	LOR [%]
9533-**-01	TZ	TRIDONIC Talexx SLE G4 (LES 19)	3000	V98127	Natural Aluminium	Ø =220; h=91.8	DKL	96
9536-**-01	TZ	TRIDONIC Talexx SLE G4 (LES 23)	5000	V98127	Natural Aluminium	Ø =220; h=91.8	DKL	92
9565-**-TT-17	TB&W*	TRIDONIC Talexx SLE (LES 17)	3000	V98127	Natural Aluminium	Ø =220; h=91.8	DKL	>94

\*Compatible with holder B+W 467 Typ A1

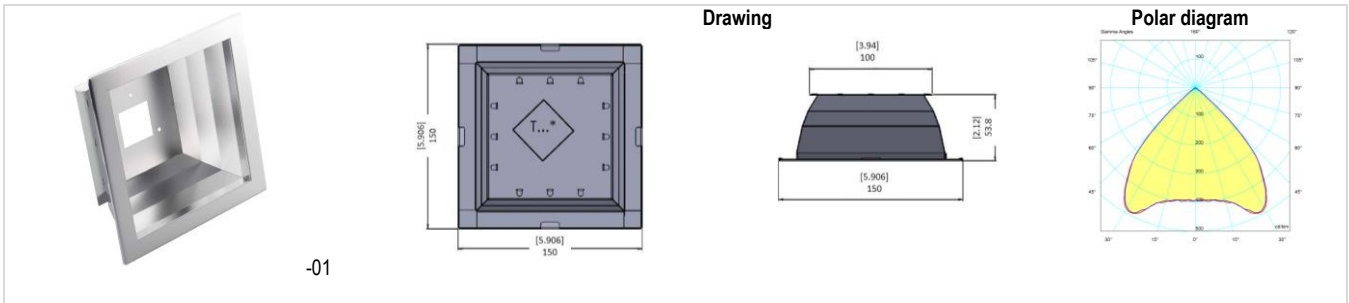
\*\*Assembly: -01 assembled; -02 disassembled

**Fast and easy customisation of:** top fixing holes; frame; light source; material.  
**Possibility of adaptation to:** existing casing, adjustable systems.

Download the reflect+A team standard catalogue at:  
<http://www.almecogroup.com/en/search>

March 2015

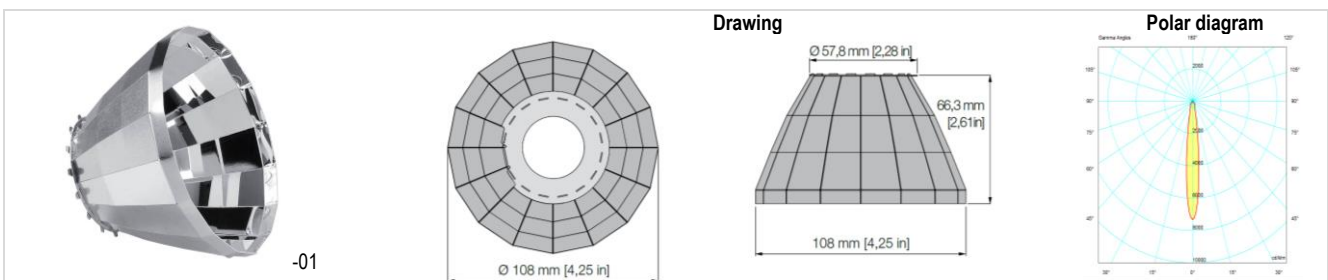
DKL-SQ120



team code	* Top fixing holes type	Light source	Luminous flux [lm]	Material	Colour	Dimensions [mm]	Luminous distribution	LOR [%]	Variant
9424-**-	TZ	TRIDONIC Talexx SLE G4 (LES 23)	5000	V98127	Natural aluminium	150 x 150 x 53.8	DKL	96	-NR
9569-**-TT-17	TB&W*	TRIDONIC Talexx SLE (LES 17)	3000	V98127	Natural aluminium	150 x 150 x 53.8	DKL	> 94	-NR

\*Compatible with holder B+W 467 Typ A1

108n



team code	* Top fixing holes type	Light source	Luminous flux [lm]	Material	Colour	Dimensions [mm]	Luminous distribution	LOR [%]	Variant
9537-**-	TZ	TRIDONIC Talexx SLE G4 (LES 19)	3000	V98D80	Natural Aluminium	Ø =108; h=66.3	2x7.8°	97	-PR
9538-**-	TZ	TRIDONIC Talexx SLE G4 (LES 19)	3000	V98100	Natural Aluminium	Ø =108; h=66.3	2x6.8°	98	-PR
9539-**-	TZ	TRIDONIC Talexx SLE G4 (LES 19)	3000	V98127	Natural Aluminium	Ø =108; h=66.3	2x9.2°	96	-PR
9540-**-	TZ	TRIDONIC Talexx SLE G4 (LES 23)	5000	V98D80	Natural Aluminium	Ø =108; h=66.3	2x9.5°	94	-PR
9541-**-	TZ	TRIDONIC Talexx SLE G4 (LES 23)	5000	V98100	Natural Aluminium	Ø =108; h=66.3	2x8.3°	94	-PR
9542-**-	TZ	TRIDONIC Talexx SLE G4 (LES 23)	5000	V98127	Natural Aluminium	Ø =108; h=66.3	2x10.4°	93	-PR
9568-**-TT-17	TB&W*	TRIDONIC Talexx SLE (LES 17)	3000	V98100	Natural Aluminium	Ø =108; h=66.3	< 25°	> 94	-PR

\*Compatible with holder B+W 467 Typ A1

\*\*Assembly: -01 assembled; -02 disassembled

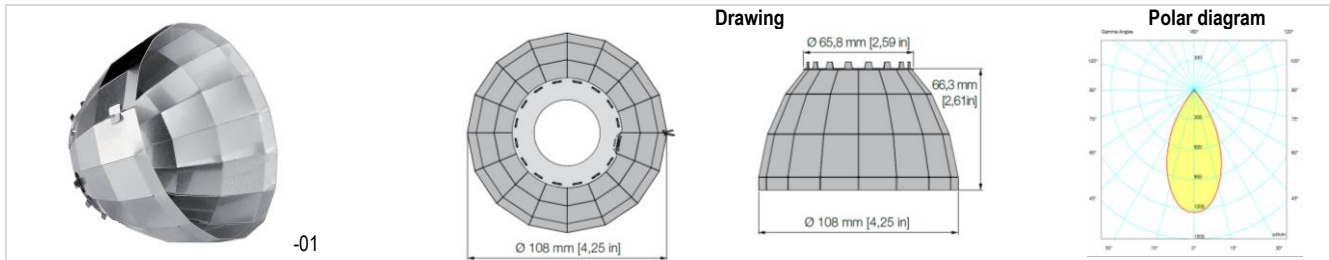


**Fast and easy customisation of:** top fixing holes; frame; light source; material.  
**Possibility of adaptation to:** existing casing, adjustable systems.

Download the reflect+A team standard catalogue at:  
<http://www.almecogroup.com/en/search>

March 2015

108w



team code	* Top fixing holes type	Light source	Luminous flux [lm]	Material	Colour	Dimensions [mm]	Luminous distribution	LOR [%]	Variant
9545-**-01	TZ	TRIDONIC Talexx SLE G4 (LES 19)	3000	V98127	Natural Aluminium	Ø =108; h=66.3	2x23.1°	94	-PR
9546-**-01	TZ	TRIDONIC Talexx SLE G4 (LES 23)	5000	V98D80	Natural Aluminium	Ø =108; h=66.3	2x25.7°	94	-PR
9547-**-01	TZ	TRIDONIC Talexx SLE G4 (LES 23)	5000	V98100	Natural Aluminium	Ø =108; h=66.3	2x25.1°	94	-PR
9548-**-01	TZ	TRIDONIC Talexx SLE G4 (LES 23)	5000	V98127	Natural Aluminium	Ø =108; h=66.3	2x26.5°	93	-PR
9567-**-TT-17	TB&W*	TRIDONIC Talexx SLE (LES 17)	3000	V98127	Natural Aluminium	Ø =108; h=66.3	> 45°	> 94	-PR

\*Compatible with holder B+W 467 Typ A1

\*\*Assembly: -01 assembled; -02 disassembled



**Fast and easy customisation of:** top fixing holes; frame; light source; material.  
**Possibility of adaptation to:** existing casing, adjustable systems.

Download the reflect+A team standard catalogue at:  
<http://www.almecogroup.com/en/search>

March 2015



**Simbols**

**Variant**

- NR No Ring
- PR Plus Ring (same material as the body, outer diameter 127mm/5").

**Luminous flux [lm]**

It is the part of the power which is perceived as light by the human eye. The value is declared by manufacturers and expressed in lumen. LED characteristics are showed for information ONLY, for up to date and contractually pending data, please contact LED suppliers.

**Material**

Type of vegaLED98® used.

Product	Type	Total Reflectance [%]		Specular Reflectance [%]		Diffuse Reflectance [%]	Alloy	Temper (hardness)	Min Tensile Strength [MPa]	Min Yield Strength [MPa]	Min [%] Elongation A <sub>5</sub> A <sub>10</sub>
		ASTM E 1651	DIN 5036-3	60° long	60° trans	DIN 5036-3					
v98100	high specular	≥ 98	≥ 98	93	93	<7	1090	H18	125	105	2
v98127	bright diffuse	≥ 97	≥ 97	28	28	95	1090	H18	125	105	2
v98D80	specular diffuse	≥ 97	≥ 97	47-53	46-52	75-82	1090	H19	140	120	1

Reflection layer: 99.99% pure silver

**Colour**

Standard: natural pvd aluminium; also available in coloured preanodized aluminium .

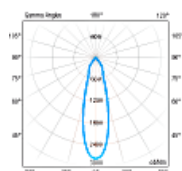
**Luminous distribution**

Indication of beam angle (DKL: darklight distribution).

**LOR (Light Output Ratio) [%]**

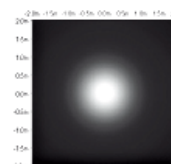
It is the ratio of the luminous flux emitted by the reflector system to the luminous flux emitted by the light source.

**Polar diagram & Isolux**



POLAR DIAGRAM

Polar diagram based on reflect+A™ LAB simulations.



ISOLUX

Light distribution on the floor in a 4x4x5m room, setup height 5m.

\*\*Assembly: -01 assembled; -02 disassembled



**Fast and easy customisation of:** top fixing holes; frame; light source; material.  
**Possibility of adaptation to:** existing casing, adjustable systems.

Download the reflect+A team standard catalogue at:  
<http://www.almecogroup.com/en/search>

March 2015