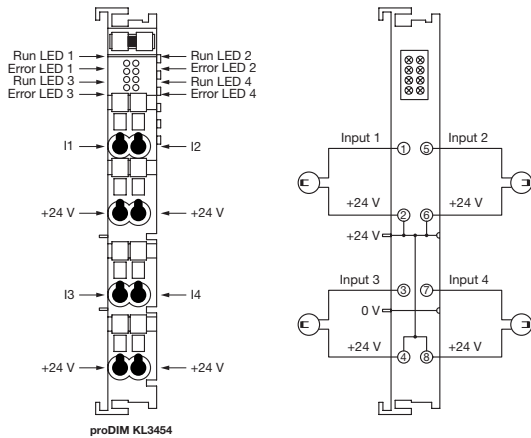
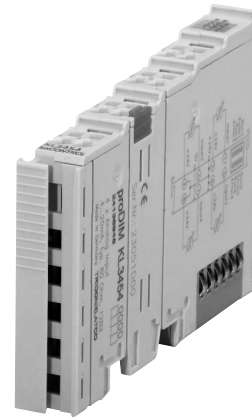


proDIM KL3454



Terminal	
1 and 2	S1
5 and 6	S2
3 and 4	S3
7 and 8	S4



The proDIM product family is used in conjunction with winDIM@net software to perform lighting management tasks. The proDIM product portfolio provides the hardware basis for the winDIM@net lighting management system. proDIM BC9000 is the central controller – a central modular gateway (translation module from TCP/IP to field level).

The combination of winDIM@net lighting management software on the server and the modular gateway/communication system enables communication to take place via standard Ethernet (TCP/IP) with DALI, actions to be triggered and status information to be received from the DALI bus.

Analog input proDIM KL3454 and the proDIM DAYLIGHT sensor provide the proDIM bus system, which is controlled via winDIM@net, with a functional interface for daylight-dependent control. With the analog input terminal proDIM KL3454 it is therefore possible to convert the analog value supplied by the DAYLIGHT sensor (analog value measured according to the amount of available daylight). With the terminal and sensor the associated luminaires or zones can be regulated according to available daylight via the dimming curve stored in the winDIM@net control software. The necessary configuration of the terminal is set up in the winDIM@net control software.

Approvals:
 EN 60068-2-6
 EN 60068-2-27/29
 EN 61000-6-2
 EN 61000-6-4

Glow-wire test
 according to EN 60598-1 passed.

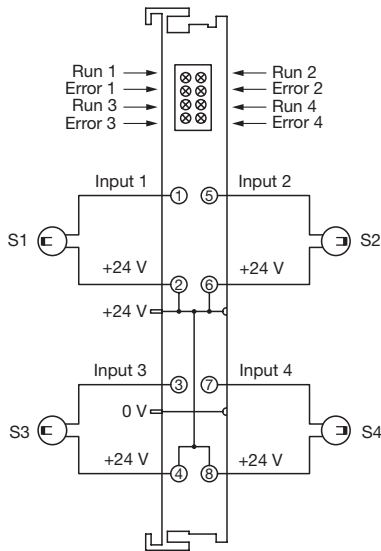
Type	proDIM KL3454
Article number	24138948
Input voltage	24 V DC (via BC9000)
Current consumption via BC9000	95 mA
Number of analogue inputs	4
max. number of analogue inputs for each BC9000	20
Sensor	proDIM Sensor DAYLIGHT (article number 86458266)
max. lead length with leads 1.5 mm ²	100 m
Signal current	4–20 mA
Surge voltage resistance	30 V DC
Operating temperature	0 to +55 °C
Storage temperature	-25 to +85 °C
Weight	approx. 55 g
Dimensions L x W x H	100 x 12 x 70 mm
Relative humidity	95 %, no condensation
Mounting	on DIN rail
Installation position	variable
Protection type	IP 20

4 channel analog input terminal

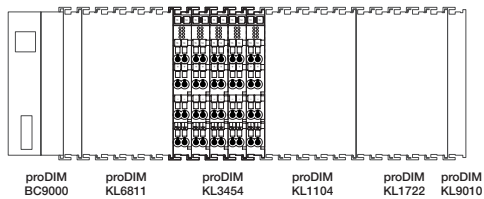
Meaning of LED displays

LED	Color	Channel	Status on	Status off
Run1	green	1	Regular operation	If no process data is transmitted between control system and bus coupler for 100 ms, the green LEDs extinguish.
Run2		2		
Run3		3		
Run4		4		
Error1	red	1	Check for shortcut. Check sensor switch position. Current consumption of the channel higher than 20.8 mA. If no Sensor is connected a watchdog-timer overflow has occurred.	Regular operation
Error2		2		
Error3		3		
Error4		4		

Circuit diagram:



Terminal order:



① For further technical information please visit www.tridonicatco.com