

groupCONTROL Programmer

groupCONTROL Programmer

Product description

- Programmer for on-site commissioning
- Control via smartphone / tablet / laptop with a responsive WEB app
- Local autonomous group management via RF mesh
- Groups of luminaires, small scale installations up to 60 nodes
- Standard-based solution (ZD4i) that be can seamlessly upgraded to an IoT-scale smart city solution
- Power supply included and additional 12 V car charger allowing high flexibility on site (commissioning & maintenance on-site)
- Battery powered
- Lifetime up to 50,000 hours
- 2 years guarantee (conditions at www.tridonic.com)

Housing properties

- Casing: Pantone Black 6 RAL 9004
- Type of protection IP40

Benefits

- **Innovative:** Integrate sensors, schedules, scenes to tailor outdoor lighting that fits the application's needs
- **User friendly:** Intuitive user interface with map support and live test function
- **Reliable:** Creates a network that is built on self-healing mesh technology for stable and durable operation
- **Safe:** Proven Tridonic hardware components to endure the harsh outdoor conditions

Typical applications

- Smart, connected outdoor lighting solution based on D4i for installations of up to 60 nodes with up to 8 light points per node



Standards, page 4

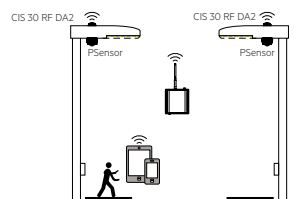
Wiring diagrams and installation examples, page 5



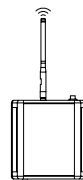
groupCONTROL configTOOL Programmer



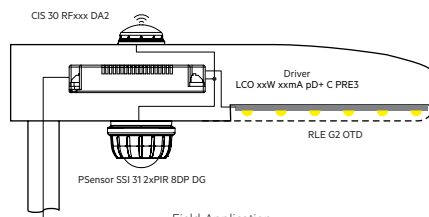
groupCONTROL configTOOL Programmer with power supply and 12 V car charger (included)



Smart City Plattform



groupCONTROL configTOOL Programmer



Field Application

System overview

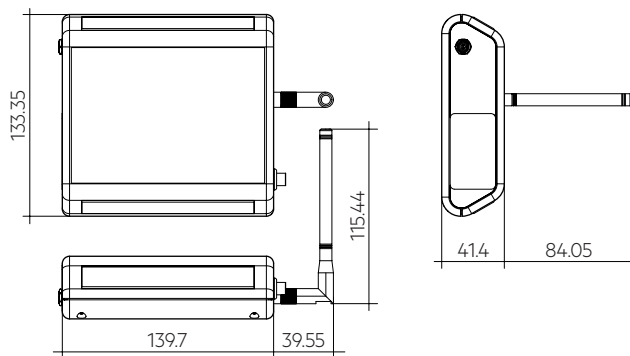


groupCONTROL Programmer

groupCONTROL Programmer

Technical data

Supply voltage DC	12 V
Max. power consumption	5 W
Starting time	30 s
Radio protocol	802.15.4g, 6LoWPAN
Data rate	100 kbit/s
Radio receiver sensitivity	-99 dBm
Data encryption	AES 128 bit
Max. radio range	100 m
Ambient temperature ta	-20 ... +50 °C
Permitted relative humidity	0 – 90 %
Storage temperature	-40 ... +85 °C
Dimensions L x W x H	140 x 134 x 42 mm
Housing material	ABS
Housing colour	Pantone Black 6 / RAL 9004
UV resistance	f1
Type of protection	IP40
Lifetime	up to 50,000 h
Guarantee (conditions at www.tridonic.com)	2 years



Ordering data

Type	Article number	Radio transceiver operation frequency	Packaging carton	Weight per pc.
groupCONTROL CT WIFI RF868	28004025	868 MHz	1 pc(s).	0.400 kg

1. Standards

ETSI EN 300 328
ETSI EN 300 220-2
ETSI EN 301 489-1
ETSI EN 301 489-3
ETSI EN 301 489-17
IEC 62368-1
EN 62311

2. Common

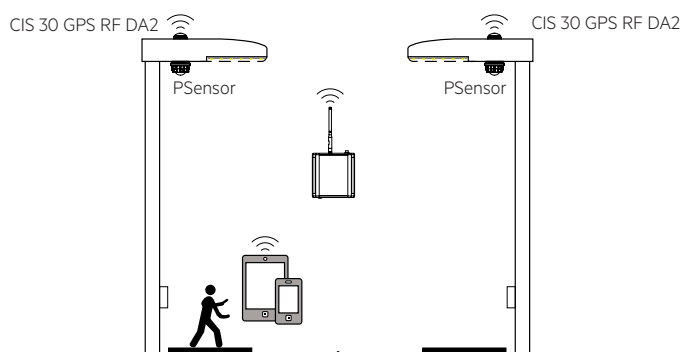
Supports the process of installing Tridonic SIDEREA groupCONTROL devices and commissioning the corresponding lighting infrastructure. Use this portable, battery-powered device to setup and configure the communication between a smart mobile device (e. g. mobile phone, tablet or laptop) and the groupCONTROL configTOOL 6LoWPAN network with up to 60 nodes that need to be provisioned and managed.

3. Operation

OTD system overview:

The groupCONTROL configTOOL creates the connection between the mobile device Wi-Fi signal and the 6LoWPAN signal of the SIDEREA network. The user can connect his smart device with the Wi-Fi signal broadcasted by the groupCONTROL configTOOL Programmer.

Via the IP address of the groupCONTROL configTOOL Programmer the user can access the programming interface and put the SIDEREA network into operation.



3.1 Additional information

Additional information about the commissioning, installation processes and maintenance of the groupCONTROL configTOOL 6LoWPAN network are documented in the according manual, see www.tridonic.com.

4. Additional technical data

4.1 Power supply

Appliance class	Class II (only in charge mode)
Burst protection	EN61000-4-4 Level 2 Criteria B
Frequency	50 / 60 Hz
Power supply AC	230 V
Power consumption	5 W
Output voltage	12 V
Surge protection	EN61000-4-5 Level 2 Criteria A

4.2 Battery

Battery life	up to 8 h
Nominal voltage	3.65 V
Min. voltage	2.4 V
Max. voltage	4.2 V
Capacitance	5,300 mAh
Chemical system	Lithium ion
Overcurrent protection	9 A

5. Miscellaneous

5.1 Disposal of equipment



Return old devices in accordance with the WEEE directive to suitable recycling facilities.

5.2 Additional information

Additional technical information at www.tridonic.com → Technical Data

Lifetime declarations are informative and represent no warranty claim. No warranty if device was opened.