

## basicDIM IPS

SELV power supply

### Product description

- First Tridonic product providing SELV for control applications
- Applicable for powering sensors, wireless controllers and other communication interfaces with up to 70 mA
- Compact form factor combined with detachable mounting flaps allowing high installation flexibility, e.g. in luminaire
- Excellent scalability allowing to connect up to 2 IPS in one circuit
- 4 control terminals allowing flexible connection of additional control devices
- Up to 100,000 guaranteed operating hours enable outstanding life-time of the entire lighting system
- 10-year guarantee



**Wiring diagrams and installation examples**, page 3



## basicDIM IPS

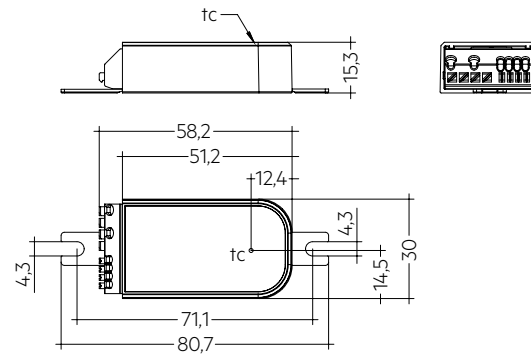
SELV power supply

### Technical data

Rated supply voltage	230 – 240 V
Mains frequency	50 / 60 Hz
Typ. current <sup>①</sup>	0.0172 A
Power consumption <sup>①</sup>	1.75 W
Power output <sup>①</sup>	1.2 W
Typ. power input on stand-by <sup>②</sup>	0.31 W
Output DC	16 V
Max. level voltage DC, SELV	18.4 V
Min. level voltage DC, SELV	13.6 V
Typ. level voltage DC, SELV	16 V
Guaranteed output current, SELV	0.07 A
Max. output current, SELV	0.105 A
Ambient temperature $t_a$	0 ... +50 °C
Dimensions L x W x H	80.7 x 30 x 15.3 mm
Type of protection	IP20

<sup>①</sup> Test condition at 230 V, 50 Hz and full load.

<sup>②</sup> No DALI traffic at the interface.



### Ordering data

Type	Article number	Packaging, carton	Weight per pc.
basicDIM IPS	87500872	60 pc(s).	0.02 kg

**1. Standards**

- EN/IEC 61347-2-11: 2001
- EN 55015: 2013
- EN 61000-3-2: 2014 Part 3-2
- EN 61000-3-3: 2013 Part 3-3
- EN 61547: 2009
- EN 62386-101 Ed.2.1

**1.1 Glow-wire test**

according to EN 61347-2-11 passed for temperatures up to 850 °C.

**2. Common**

**2.1 Functional description**

basicDIM IPS is a SELV power supply, rated at 16 V DC and providing 70 mA for SELV control applications.

The IPS can also be connected to standard non SELV DALI installations and used as standard DALI power supply.

**!** If the IPS is connected to standard DALI controls which do not provide DALI SELV terminals the whole installation will be non SELV. Conditions for mains voltage have to be fulfilled.

With the provided 70 mA current up to 35 loads can be connected.

**!** Standard DALI loads are specified to consume max. 2 mA. Some DALI control devices may consume more than 2 mA (e.g. MSensor G3). If such devices are connected to the IPS the amount of possible connected devices will be reduced. This has to be considered during the application design.

Up to 2 IPS can be connected in parallel to provide up to 140 mA.

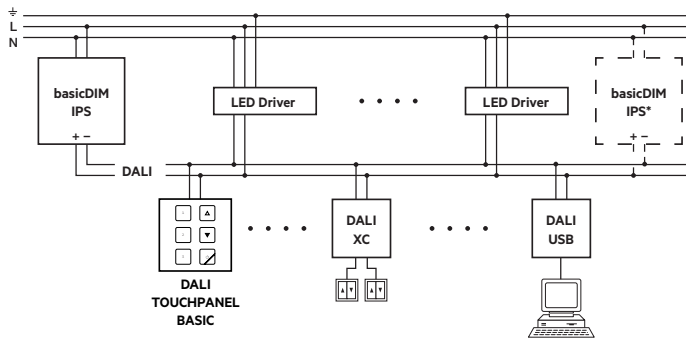
**!** Additional IPS must be connected in parallel and the polarity has to be considered. Do not connect more than 2 IPS in one installation. This may cause damage to the device and all other devices connected to the control wires.

The housing provides mounting flaps (manually removable) which can be used for easy installation inside a luminaire.

**3. Installation**

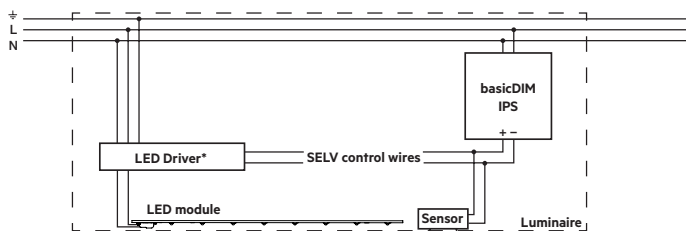
- For SELV Application the SELV installation regulation do apply.
- For non SELV e.g. standard DALI applications, standard mains voltage regulation do apply.
- The maximum cable length of the output wires must not drop more than 2 V on the signal line voltage.

**3.1 Wiring**



\* Possible connection of additional basicDIM IPS

**Wiring for SELV applications:**

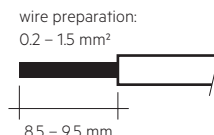


\* DALI output of LED Driver must be SELV

**3.2 Cable types and cable cross-sections**

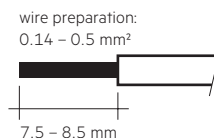
**Mains supply wires**

For wiring, stranded wire with ferrules or solid wire with a cable cross-section of 0.2–1.5 mm<sup>2</sup> can be used. Strip 8.5–9.5 mm of insulation from the cables to ensure perfect operation of the push-wire terminals. Use one wire for each terminal connector only.



**Secondary wires DALI terminals**

For wiring, stranded wire with ferrules or solid wire with a cable cross-section of 0.14–0.5 mm<sup>2</sup> can be used. Strip 7.5–8.5 mm of insulation from the cables to ensure perfect operation of the push-wire terminals. Use one wire for each terminal connector only.



**!** When loosing the wiring, always use the push-button handle and never pull on the wire until the latch is released.

### 3.3 Max. output cable length

Material	Cross-section	Max. cable length		
		25 °C	50 °C	75 °C
Copper	0.14 mm <sup>2</sup>	31 m	29 m	26 m
	0.20 mm <sup>2</sup>	45 m	41 m	37 m
	0.50 mm <sup>2</sup>	112 m	102 m	93 m
Aluminium	0.14 mm <sup>2</sup>	19 m	17 m	16 m
	0.20 mm <sup>2</sup>	27 m	25 m	23 m
	0.50 mm <sup>2</sup>	68 m	62 m	57 m

### 3.4 Output short circuit conditions

The IPS output is short circuit proof. Short circuit behavior has no delay, re-try and restart period of shutdown mechanism. The IPS keeps working even output is short with limited max. output current.

## 4. Thermal details and life-time

### 4.1 Expected life-time

Expected life-time			
Type	ta	40 °C	50 °C
basicDIM IPS	tc	55 °C	65 °C
	Life-time	>100,000 h	100,000 h

The device is designed for a life-time stated above under reference conditions and with a failure probability of less than 10 %.

## 5. Miscellaneous

### 5.1 Disposal



According to the WEEE directive return old equipment at appropriate collection facilities.

### 5.2 Additional information

Additional technical information at [www.tridonic.com](http://www.tridonic.com) → Technical Data

Guarantee conditions at [www.tridonic.com](http://www.tridonic.com) → Services

Life-time declarations are informative and represent no warranty claim. No warranty if device was opened.