

IP67 SELV Class 2      

RoHS

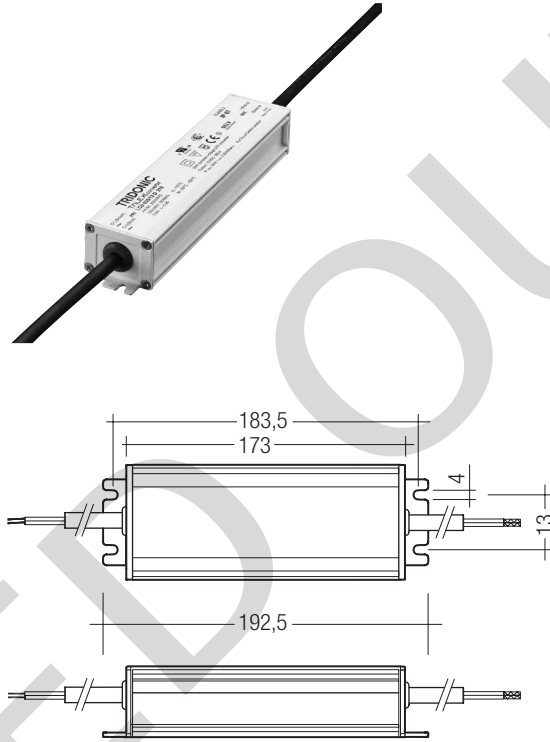
TALEXconverter LCU 35 W 12 V outdoor IP67
LCU outdoor IP67

Product description

- Build-In LED control gear for LED modules
- Constant voltage LED control gear
- Universal input voltage range
- Constant output voltage
- Connection: Cable with end sleeves (length approx. 500 mm)
- Polarity identifiers, secondary + red / – black
- Metal casing, encapsulated
- White casing
- Nominal life time up to 50,000 h (at ta 40 °C with a failure rate max. 0.2 % per 1,000 h)
- 5-year guarantee
- Complies with CLASS C from minimum to maximum load range according to EN 61000-3-2

Properties

- Overtemperature and overload protection
- Short-circuit shutdown feature with automatic restart
- SELV
- Type of protection IP67
- Metal casing



Ordering data

Type	Article number	Packaging carton	Packaging pallet	Weight per pc.
LCU 035/12 D210	25000670	15 pc(s).	480 pc(s).	0.55 kg

Technical data

Rated supply voltage	120 – 240 V
Input voltage, AC	108 – 264 V
Rated current (at 230 V 50 Hz)	0.2 A
Mains frequency	50 / 60 Hz
Efficiency	> 80 %
λ (at 230 V 50 Hz)	> 0.95
Output voltage tolerance	+ 10 %
Input power	43 W
Output power	35 W
Output power range	3.5 – 35 W
Turn on time (output)	\leq 0.5 s
Turn off time (output)	\leq 1 s
Hold on time at power failure (Output)	10 ms
Ambient temperature ta	-25 ... +50 °C
Ambient temperature ta (at lifetime 50,000 h)	-25 ... +40 °C
Storage temperature	-30 ... +85 °C
Dimensions LxWxH	192.5 x 40 x 30 mm
Hole spacing D	183.5 mm

Specific technical data

Type	Max. casing temperature tc	Output voltage	Max. input power	Output current range	Max. output voltage ^①
LCU 035/12 D210	75 °C	12 V	43 W	0.25 – 2.92 A	13.2 V

^① At failure mode (230 V, 50 Hz).

Standards

EN 55015
EN 61000-3-2
EN 61000-3-3
EN 61347-1
EN 61347-2-13
EN 61547
EN 62384

Over temperature protection

Automatic shutdown of the LED control gear if the temperature limit is exceeded.
Automatic restart if the temperature falls below the limit.

Overload protection

Automatic shutdown of the LED control gear if the maximum output current is exceeded. Automatic restart if the output current is below the limit.

Expected lifetime

Type	ta = 40 °C	
LCU 035/12 D210	tc	75 °C
	Lifetime	50,000 h

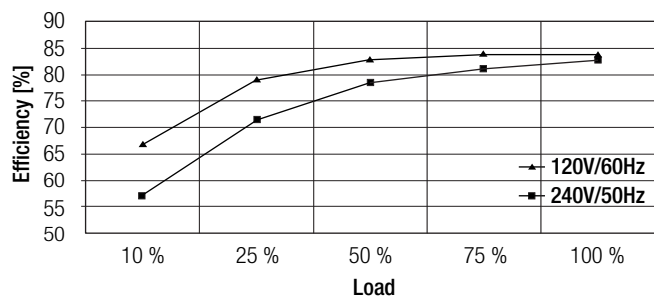
Maximum loading of automatic circuit breakers

Automatic circuit breaker type	C10	C13	C16	C20	B10	B13	B16	B20	Inrush current	
Installation Ø	1.5 mm ²	1.5 mm ²	1.5 mm ²	2.5 mm ²	1.5 mm ²	1.5 mm ²	1.5 mm ²	2.5 mm ²	I _{max}	time
LCU 035/0012 D210	12	16	22	24	6	8	11	12	90 A	0.095 ms

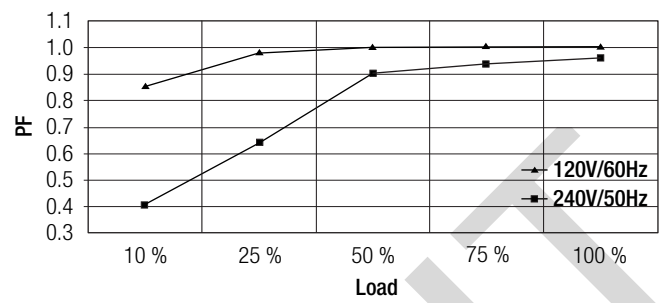
Harmonic distortion in the mains supply (at 230V/50Hz and full load) in %

Type	THD	3	5	7	9	11
LCU 035/0012 D210	12	11	3	3	2	2

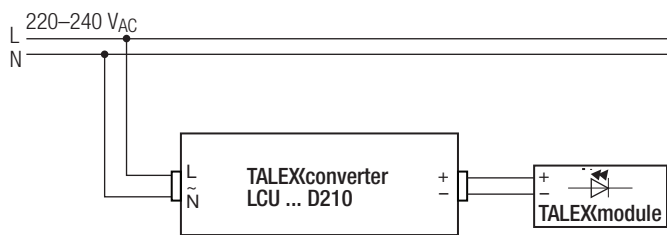
Efficiency versus load



PF value versus load



Wiring diagram

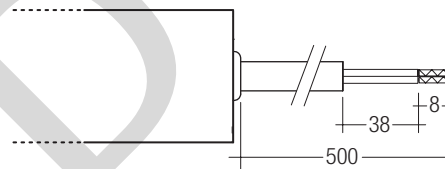


Connection

Primary cable		Secondary cable	
L	N	+	-
brown	blue	red	black

Installation instructions

The switching of LEDs on secondary side is not permitted.



PRI:
Ø 7.7 ±0.2 mm; 2x 1.04 mm² (17 AWG)

SEC:
Ø 8 ±0.2 mm; 2x 1.31 mm² (16 AWG)