

IP20 SELV 

Driver LCI 60 W 700/1050 mA TEC C
TEC series

Product description

- Fixed output built-in LED Driver
- Constant current LED Driver
- Output current 700 or 1,050 mA
- Max. output power 60 W
- Nominal life-time up to 50,000 h
- For luminaires of protection class I and protection class II
- Temperature protection as per EN 61347-2-13 C5e
- 5-year guarantee

Properties

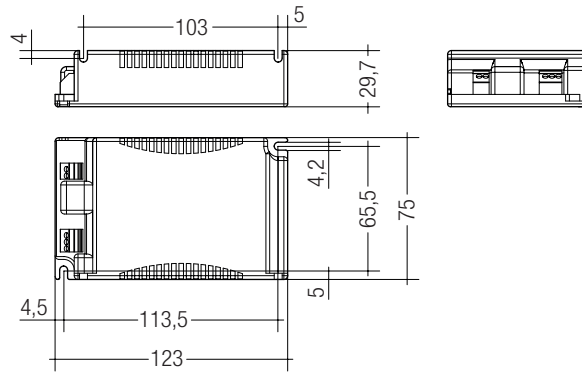
- Casing: polycarbonat, white
- Type of protection IP20

Functions

- Overtemperature protection
- Overload protection
- Short-circuit protection
- No-load protection

Technical data

Rated supply voltage	220 – 240 V
AC voltage range	198 – 264 V
Current at 50 Hz 230 V	0.29 A
Mains frequency	50 / 60 Hz
Overvoltage protection	300 V AC, 1 h
Max. input power	70 W
Output power	60 W
THD (at 230 V, 50 Hz, full load)	< 20 %
Output current tolerance ^①	± 7.5 %
Typ. current ripple (at 230 V, 50 Hz, full load)	± 25 %
Turn on time (at 230 V, 50 Hz, full load)	≤ 0.7 s
Turn off time (at 230 V, 50 Hz, full load)	≤ 0.7 s
Hold on time at power failure (output)	0 s
Ambient temperature t_a	-20 ... +50 °C
Ambient temperature t_a (at life-time 50,000 h)	40 °C
Storage temperature t_s	-40 ... +80 °C
Dimensions L x W x H	123 x 75 x 29.7 mm



Ordering data

Type	Article number	Packaging, carton	Packaging, low volume	Packaging, high volume	Weight per pc.
LCI 60W 700mA TEC C	87500200	10 pc(s).	180 pc(s).	2,160 pc(s).	0.182 kg
LCI 60W 1050mA TEC C	87500202	10 pc(s).	180 pc(s).	2,160 pc(s).	0.187 kg



Standards, page 2

Wiring diagrams and installation examples, page 3

Specific technical data

Type	Output current ^②	Typ. power consumption (at 230 V, 50 Hz, full load)	Power factor at full load ^③	Efficiency at full load ^③	Power factor at min. load ^③	Efficiency at min. load ^③	Min. forward voltage ^③	Max. forward voltage ^③	Max. output voltage	Max. peak output current at full load ^{③②}	Max. peak output current at min. load ^{③②}	Max. casing temperature t_c
LCI 60W 700mA TEC C	700 mA	65.5 W	0.98	91.5 %	0.93C	90 %	46.5 V	85.5 V	98 V	1,050 mA	1,150 mA	85 °C
LCI 60W 1050mA TEC C	1,050 mA	66.0 W	0.98	90.5 %	0.93C	89 %	31.0 V	57.0 V	62 V	1,420 mA	1,650 mA	95 °C

^① Test result at 230 V, 50 Hz.

^② The trend between min. and full load is linear.

^③ Output current is mean value.

Standards

EN 55015
EN 61000-3-2
EN 61000-3-3
EN 61347-1
EN 61347-2-13
EN 61547
EN 62384

Housing fulfils requirements for reinforced insulation according EN 60598-1.

Overload protection

If the output voltage range is exceeded the LED Driver reduces the LED output current. After elimination of the overload the nominal operation is restored automatically.

Overtemperature protection

The LED Driver is protected against temporary thermal overheating. If the temperature limit is exceeded the output current is reduced to limit t_c at a certain level. The temperature protection is activated typically at 8 °C above t_c max.

Short-circuit behaviour

In case of a short circuit on the secondary side (LED) the LED Driver switches into hic-cup mode. After the removal of the short-circuit fault the LED Driver will recover automatically.

No-load operation

The LED Driver works in constant voltage mode. In no-load operation the output voltage will not exceed the specified max. output voltage (see page 1).

Installation instructions

The LED module and all contact points within the wiring must be sufficiently insulated against 5.0 kV surge voltage.
Air and creepage distance must be maintained.

Replace LED module

1. Mains off
2. Remove LED module
3. Wait for 10 seconds
4. Connect LED module again

Hot plug-in or secondary switching of LEDs is not permitted and may cause a very high current to the LEDs.

Expected life-time

Type	t_a	40 °C	50 °C	60 °C
LCI 60W 700mA TEC C	t_c	75 °C	85 °C	x
	Life-time	50,000 h	30,000 h	x
LCI 60W 1050mA TEC C	t_c	85 °C	95 °C	x
	Life-time	50,000 h	30,000 h	x

The LED Drivers are designed for a life-time stated above under reference conditions and with a failure probability of less than 10 %.

Maximum loading of automatic circuit breakers

Automatic circuit breaker type	C10	C13	C16	C20	B10	B13	B16	B20	Inrush current
Installation Ø	1.5 mm ²	1.5 mm ²	1.5 mm ²	2.5 mm ²	1.5 mm ²	1.5 mm ²	1.5 mm ²	2.5 mm ²	I_{max} Time
LCI 60W 700mA TEC C	20	30	40	50	16	24	32	40	13 A 50 µs
LCI 60W 1050mA TEC C	20	30	40	50	16	24	32	40	13 A 50 µs

Harmonic distortion in the mains supply (at 230 V / 50 Hz and full load) in %

	THD	3.	5.	7.	9.	11.
LCI 60W 700mA TEC C	20	12	3	2	1	1
LCI 60W 1050mA TEC C	20	10	2	1	1	1

Glow-wire test

Glow-wire test according to EN 61347-1 with increased temperature of 850 °C passed.

Mounting of device

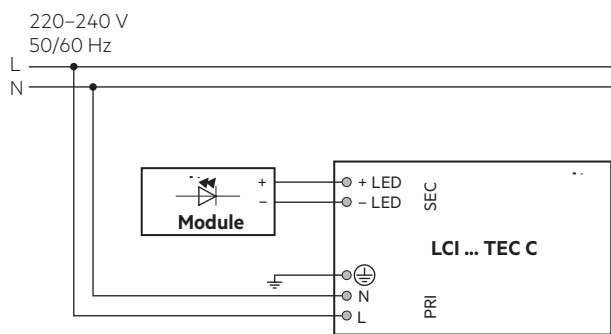
Max. torque for fixing: 0.5 Nm/M4

Storage conditions

Humidity: 5 % up to max. 85 %
not condensed
(max. 56 days/year at 85 %)

Storage temperature: -40 °C up to max. +80 °C

The devices have to be within the specified temperature range (t_a) before they can be operated.

Wiring diagram**Isolation and electric strength testing of luminaires**

Electronic devices can be damaged by high voltage. This has to be considered during the routine testing of the luminaires in production.

According to IEC 60598-1 Annex Q (informative only!) or ENEC 303-Annex A, each luminaire should be submitted to an isolation test with 500 V_{DC} for 1 second. This test voltage should be connected between the interconnected phase and neutral terminals and the earth terminal. The isolation resistance must be at least 2 MΩ.

As an alternative, IEC 60598-1 Annex Q describes a test of the electrical strength with 1500 V_{AC} (or 1.414 x 1500 V_{DC}). To avoid damage to the electronic devices this test must not be conducted.

Additional information

Additional technical information at www.tridonic.com → Technical Data

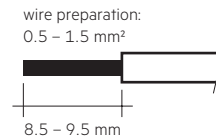
Guarantee conditions at www.tridonic.com → Services

Life-time declarations are informative and represent no warranty claim. No warranty if device was opened.

Wiring type and cross section

The wiring can be stranded wires with ferrules or rigid wires with a cross section of 0.5 – 1.5 mm².

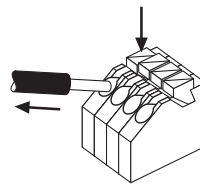
Strip 8.5 – 9.5 mm of insulation from the cables to ensure perfect operation of the push-wire terminals (WAGO 250).

**Wiring instructions**

- All connections must be kept as short as possible to ensure good EMI behaviour
- Mains leads should be kept apart from LED Driver and other leads (ideally 5 – 10 cm distance)
- The maximum length of output wires is 2 m.
- Secondary switching is not permitted.
- Incorrect wiring can damage LED modules.
- The wiring must be protected against short circuits to earth (sharp edged metals parts, metal cable clips, louver, etc.)

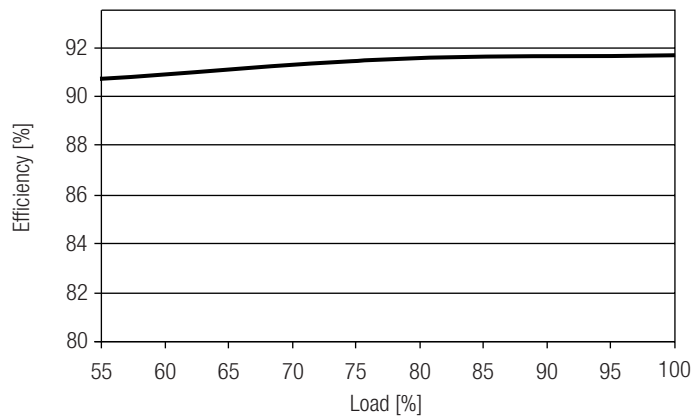
Release of the wiring

Press down the “push button” and remove the cable from front.

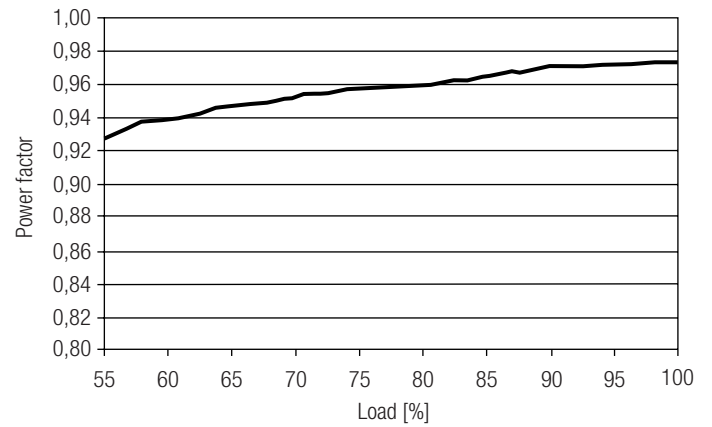


Diagrams LCI 60W 700mA TEC C

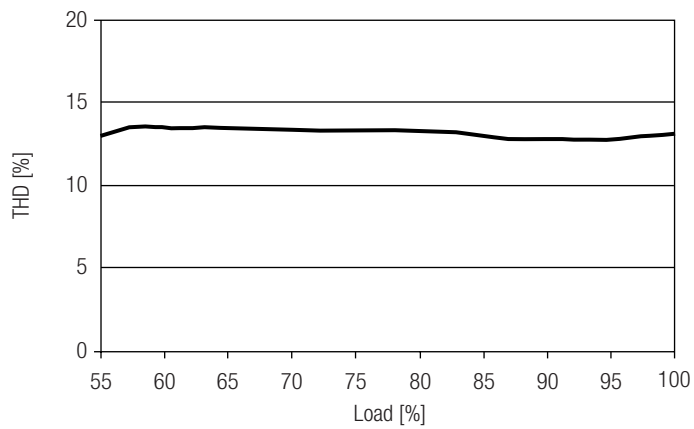
Efficiency vs Load



Power factor vs Load

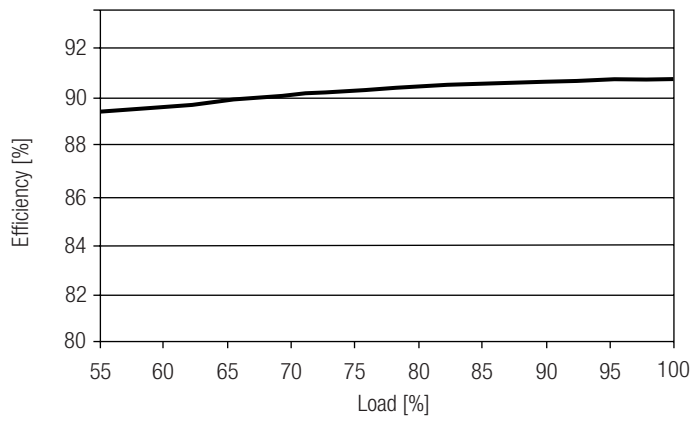


THD vs Load

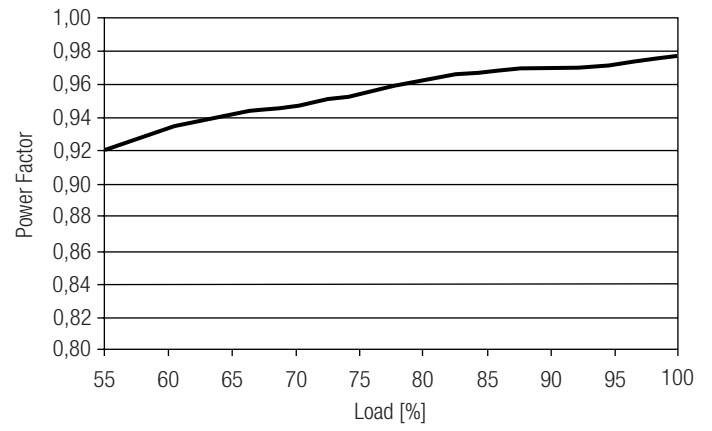


Diagrams LCI 60W 1,050mA TEC C

Efficiency vs Load



Power factor vs Load



THD vs Load

