



## SPD 10kV UNV SNC

Surge protection

### Product description

- Universal use for street, tunnel or object lighting
- Flexible installation (on mounting plate)
- Compact design
- UL 1449 type 5 (safety standard)
- IEEE C62.41.2 2002 (performance standard)
- 5 years guarantee

### Housing properties

- Type of protection IP67
- Wet locations



Standards, page 3



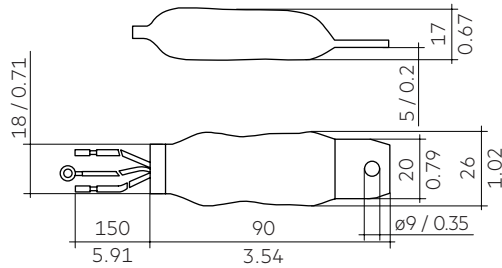
IP67   

## SPD 10kV UNV SNC

Surge protection

### Technical data

Rated supply voltage	120 – 277 V
AC voltage range	120 – 320 V
Mains frequency	50 / 60 Hz
Mode of protection	L-N, L/N-G
AC system	TN
Nominal discharge current (8/20 µs)	5 kA
Max. discharge current (8/20 µs)	10 kA
Combination wave (1.2/50 µs)	10 kV (5 kA)
Voltage protection level (at nominal discharge current (8/20 µs))	≤ 142 kV
Measured limiting voltage (at nominal discharge current (8/20 µs) and at combination wave (1.2/50 µs))	≤ 123 kV
TOV behavior (withstand)	337 V AC
TOV behavior (disconnection)	442 V AC
Ambient temperature $t_a$	-40 ... +85 °C / -40 ... +185 °F
$t_c$	85 °C / 185 °F
Type of protection	IP67
Dimensions L x W x H	90 x 26 x 17 mm / 3.54 x 1.02 x 0.67 inch



Dimensions in mm / inch

### Ordering data

Type	Article number	Packaging carton	Packaging, pallet	Weight per pc.
SPD 10kV UNV SNC	28002169	60 pc(s).	7,680 pc(s).	0.07 kg / 0.154 lbs

## 1. Standards

UL 1449  
CSA C22.2  
IEEE C62.41.2 2002

Product not designed for European Economic Area.

### 1.1 Glow-wire test

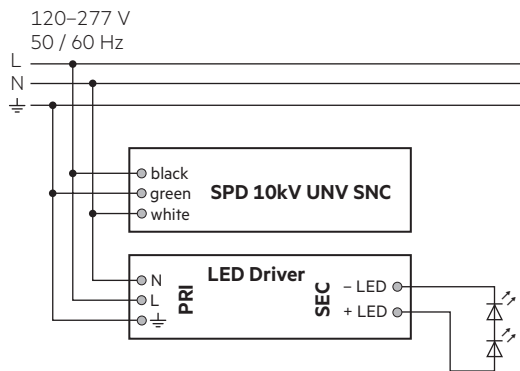
according to EN 61643-11 with increased temperature of 850 °C / 1,562 °F passed.

## 2. Guarantee conditions

5-year guarantee of the product.  
Surge capability: 10 x 10 kV Combination Wave pulses (1.2 / 50 µs).

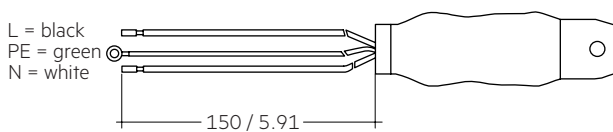
## 3. Installation / wiring

### 3.1 Circuit diagrams



SPD is wired in parallel to the Driver.  
In case of defect SPD, Driver still is powered but not surge protected anymore.

wire assignment		
L	N	PE
black	white	green



### 3.2 Wiring type and cross section

The prepared wires have a cross section of 1.5 mm<sup>2</sup> / 16AWG.  
The black (L) and white (N) wires ends are stripped (15 mm / 0.59 inch) and soldered.  
The white (PE) wire has a cable lug in the end with a hole size diameter of 5.2 mm / 0.2 inch.

## 5. Miscellaneous

### 5.1 Conditions of storage

Humidity: 5 % up to max. 75 %, not condensed

Storage temperature: -10 °C up to max. +40 °C (long term)  
14 °F up to max. +104 °F (long term)  
-40 °C up to max. +85 °C (24 hours)  
-40 °F up to max. +185 °F (24 hours)

### 5.2 Additional information

Additional technical information at [www.tridonic.com](http://www.tridonic.com) → Technical Data

Guarantee conditions at [www.tridonic.com](http://www.tridonic.com) → Services

Lifetime declarations are informative and represent no warranty claim.  
No warranty if device was opened.