

PCIS, PCI, PCS outdoor DIM chronoSTEP
PCI outdoor

Product description

- Pulse packets for increased ignition energy (pulseCONTROL technology)
- Flicker-free light
- Colour stability thanks to constant power
- No acoustic resonance
- Safety shutdown if a lamp is faulty or missing
- Greatly reduced reignition time
- Hardly any EMC interference in the ignition phase
- Screw terminals: $\leq 1.5 \text{ mm}^2$ for stranded wire, $\leq 2.5 \text{ mm}^2$ for solid wire
- Dimming via digital interface
- Noise-free precise control via DALI, DSI or stepDIM
- Fault reporting in DALI mode
- Unit fully encased to protect against dust, moisture and vibration
- Enhanced protection against mains transients
- Enhanced insulation
- Casing: polycarbonate, black
- 5-year guarantee



Standards, page 3

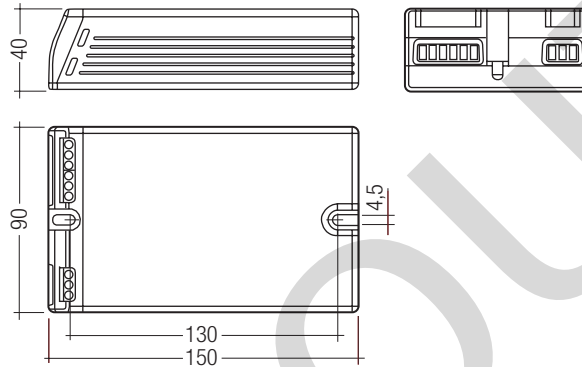
Wiring diagrams and installation examples, page 3



PCIS, PCI, PCS outdoor DIM chronoSTEP
PCI outdoor

Technical data

Mains voltage range	220 – 240 V
AC voltage range	198 – 254 V
Mains frequency	50 / 60 Hz
λ at 50 Hz 230 V	0.97
Max. ignition voltage PCI, PCIS	5 kVp
Max. ignition voltage PCS	2.5 kVp
Operating frequency	145 Hz
Type of protection	IP20
Dimensions L x W x H	150 x 90 x 40 mm



Ordering data

Type	Article number	Packaging, carton	Packaging, pallet	Weight per pc.
For luminaires with 1 lamp				
PCS 70 outdoor DIM chronoSTEP	86459604	16 pc(s).	480 pc(s).	0.720 kg
PCIS 100 outdoor DIM chronoSTEP	86459605	16 pc(s).	480 pc(s).	0.760 kg
PCIS 150 outdoor DIM chronoSTEP	86459606	16 pc(s).	480 pc(s).	0.747 kg

Specific technical data

Lamp wattage	Lamp type	Type	Article number	Lamp power	Circuit power [Ⓞ]	Typ. power input on standby	EEL	Efficiency	Current at 50 Hz 230 V	Max. cable length to lamp	tc point max.	Ambient temperature ta	tc/ta for \geq 60,000 h
For luminaires with 1 lamp													
1 x 70 W	HS	PCS 70 outdoor DIM chronoSTEP	86459604	73 W	81 W	< 0.5 W	A2	> 88 %	0.35 A	5 m / 400 pF	70 °C	-25 ... +55 °C	70/55 °C
1 x 100 W	HI & HS	PCIS 100 outdoor DIM chronoSTEP	86459605	100 W	109 W	< 1.5 W	A2	> 91 %	0.50 A	5 m / 400 pF	70 °C	-25 ... +55 °C	70/55 °C
1 x 150 W	HI & HS	PCIS 150 outdoor DIM chronoSTEP	86459606	147 W	161 W	< 1.5 W	A2	> 91 %	0.70 A	5 m / 400 pF	75 °C	-25 ... +55 °C	75/55 °C

[Ⓞ] At ta = 25 °C.

Loading of automatic circuit breakers

Automatic circuit breaker type	C10	C13	C16	C20	B10	B13	B16	B20
Installation Ø	1.5 mm ²	1.5 mm ²	1.5 mm ²	2.5 mm ²	1.5 mm ²	1.5 mm ²	1.5 mm ²	2.5 mm ²
PCS 70 outdoor DIM chronoSTEP	14	25	36	42	8	14	25	30
PCIS 100 outdoor DIM chronoSTEP	10	18	26	30	6	10	13	13
PCIS 150 outdoor DIM chronoSTEP	7	14	20	20	4	6	7	7

Dimming of HID lamps

Using PCIS ballasts HID lamps can be dimmed down up to 40 % light output.

In principle all sodium lamps can be dimmed down to 40 %. Due to the lamp characteristics of metal halide lamps only selected lamps are released for dimming. The minimum dim level of PCI 45/60/90/140 outdoor DIM chronoSTEP is set according to the lamp specification.

If lamps are operated below their specified minimum dim level, performance and life-time can be declined.

After starting up the PCIS stepDIM the connected lamp needs to be burned in for the first 19 min in operation. A power reduction within these 19 min is not possible.

After the burn in phase, when leaving the interface open the ballasts stay on 100 % light output.

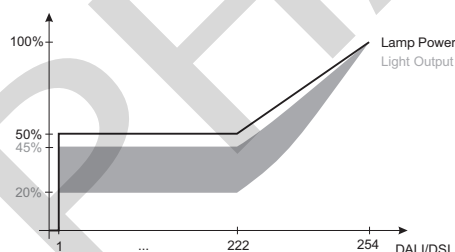
At a dimming level of 40 % the light output can vary due to the lamp characteristics between 20 and 45 %. A list of released lamps for the save operation with PCIS can be found on www.tridonic.com → Techn. Data → Lamp matrix → Lamp Matrix for HID

Factory settings minimum dimming value

Type	DALI	DALI %
PCS 70 outdoor DIM chronoSTEP	222	40 %
PCIS 100 outdoor DIM chronoSTEP	229	50 %
PCIS 150 outdoor DIM chronoSTEP	229	50 %

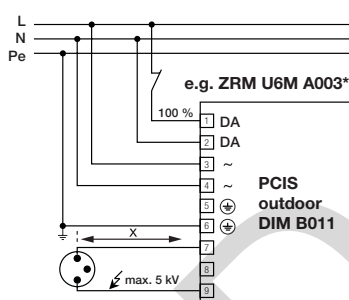
Dimming via DALI/DSI

Via DALI/DSI the lamp can be dimmed between the preadjusted minimum and DALI 254/DSI 255 (100 %). Using DALI/DSI levels between 1 and the preadjusted minimum dimm level the light output is the minimum dimm level.

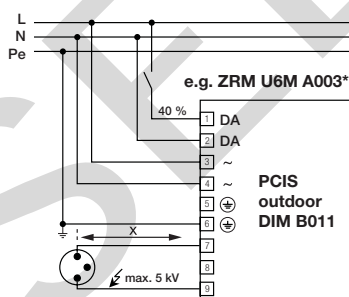


Dimming via stepDIM

Via stepDIM it is possible to select 2 dim levels via mains. The two levels are programmable using DALI/DSI. When connecting mains (e.g. via ZRM U6M A003*) to the interface the ballast regulates to 100 %. After switching off the interface the ballast regulates to 40 % within 90 s.



PCIS outdoor DIM chronoSTEP 100 % operating SK1 Lamp



PCIS outdoor DIM chronoSTEP 40 % operating SK1 Lamp

Control via DALI/DSI

Control input (DA)

Digital DALI/DSI signal can be wired on the terminals DA.

Digital signal DALI/DSI

The control input is non-polar and protected against accidental connection with a mains voltage up to 264 V. The control signal is not SELV. Control cable should be installed in accordance with the requirements of low voltage installations. Different functions depending on each module.

Standards (DALI)

- HID EVG → device type 2
- DALI 0 = 0 % light
- DALI 1 ... 222 = 40 % light

Programmable parameters

- Groups 1–16
- Scenes 1–16 (values 0 % / 40 % ...100 % / MASK)
- Power On Level (values 0 % / 40 % ...100 %)
- System Failure Level (values 0 % / 40 % ...100 %)

Queries

- via DALI standard:
- Lamp wattage (value yes/no)
 - Lamp error (value yes/no)

via Tridonic masterCONFIGURATOR:

- Lamp type
- Device type
- Article number
- Production date
- Serial number
- Software version
- Commissioning

OEM Memory Bank

The customer can store additional luminaire information in the ECG (Memory Bank 1), such as luminaire type and article number. Data is written to Memory Bank 1 in accordance with DALI standard IEC 62368.

Commissioning of PCIS outdoor DIM ballasts

Because of the special characteristics of HID light sources, PCIS outdoor DIM ballasts (Device Type 2) cannot be addressed in the same way as conventional DALI ballasts for fluorescent or halogen lamps for example. For visualisation during the grouping phase the HID lamps must remain switched off before and during the addressing phase as they can only be properly ignited in the cold state. Dimmed operation of these lamps is not recommended, which also calls for different handling during commissioning.

Tridonic recommends masterCONFIGURATOR ≥ V2.0.0 software for commissioning PCIS outdoor DIM ballasts (download from www.tridonic.com → Services → Software).

IMPORTANT: Other DALI controllers can only be used for commissioning if they handle DALI Device Type 2 units appropriately (see Requirements of control products).

Requirements of control products

Initialization/addressing phase:

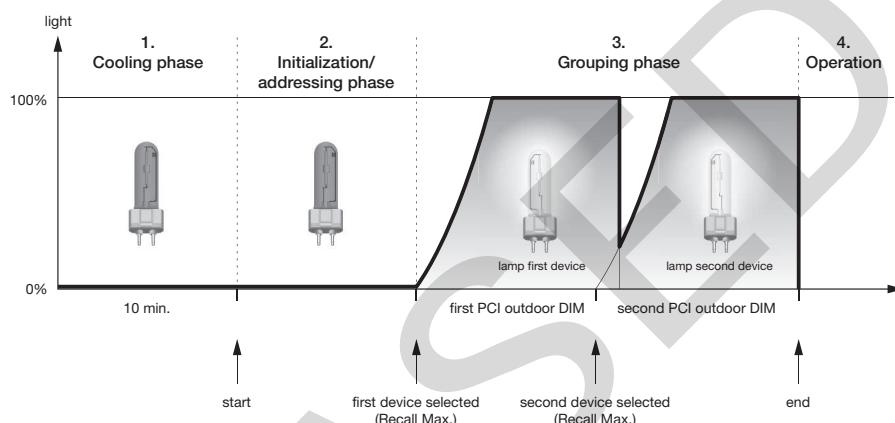
INITIALIZE	(This command must be sent first)
...	When the INITIALIZE command is sent, PCIS outdoor DIM devices change the
...	RECALL MIN value to 0% → devices switch off/remain switched off
...	(Last command in the initialization phase)
RECALL MIN LEVEL	
...	
...	
...	
TERMINATE	When the TERMINATE command is sent, PCIS outdoor DIM changes the RECALL MIN value back to 40% (100% light)

The high ignition voltage of high pressure lamps can lead to interferences. During the ignition time the communication can be disturbed. Therefore the ballast might not react during the ignition phase. This has to be considered especially when using gateways.

Realisation with Tridonic controls

	Commissioning	Operation
DALI GC		✓
x-touchPANEL	✓	✓
x-touchBOX	✓	✓
DALI TOUCHPANEL		✓
Software masterCONFIGURATOR	✓	✓

Overview – commissioning cycle with masterCONFIGURATOR ≥ V2.0.0



Step-by-step commissioning with masterCONFIGURATOR ≥ V2.0.0

1. Cooling phase

HID EVG → Device Type 2
The lighting must have been switched off before start-up for at least 10 min. (visualization/grouping is not possible with hot lamps)

2. Initialisation and addressing phase

- Launch DALI masterCONFIGURATOR
- Click on “Addressing wizard” and follow the on-screen instructions.

PCIS outdoor DIM devices remain dark during the entire addressing phase. In contrast, DALI devices for fluorescent lamps, LEDs and incandescent lamps fade down to their minimum value and go to 100% during the addressing phase. At the end of the addressing phase they fade back to their minimum value.

3. Visualisation in the grouping phase

- Activate the “Enable optical selection feedback” by ticking the checkbox.
- If a PCIS outdoor DIM device (Device Type 2, special symbol) is selected in masterCONFIGURATOR the appropriate device switches on. It remains on until a different DALI device is selected in the system. → PCIS outdoor DIM then switches off after a maximum delay of 10 seconds.

4. Operation

- PCIS outdoor DIM devices can be switched powerless with a broadcast signal (DALI or DSI, without addressing of the devices)
- PCIS outdoor DIM devices can be addressed and operated individually or in groups with a DALI signal. For examples with Tridonic controls please see matrix above.

Commissioning comparison table

	DALI HID ballast PCIS outdoor DIM	Standard DALI ballast e.g. PCA Excel one4all
Before commissioning the installation	Devices must have been switched off for at least 10 minutes!	—
Initialisation and addressing phase	Devices remain switched off	<ul style="list-style-type: none"> • Devices fade to minimum value • On successful addressing the devices fade up to 100% • At the end of the addressing phase the devices fade down to the minimum value
Visualisation in the grouping phase	<ul style="list-style-type: none"> • Selected device starts the lamp at 100% • If a different device is selected the previously selected device switches off with a maximum delay of 10s <p>Visualisation/grouping is not possible with hot HID lamps!</p>	<ul style="list-style-type: none"> • Selected device fades from minimum value to 100% • If a different device is selected the previously selected device fades to the minimum value
Operation	Devices can be controlled/operated with other DALI/DSI control products	Devices can be controlled/operated with other DALI/DSI control products

chronoSTEP function

In the outdoor lighting and street lighting sector, it often makes sense to dim the lighting level during night hours in order to save energy. The chronoSTEP function is a tool that makes this easy to do.

The device automatically measures the switch-on and switch-off times of the lighting installation over the past three days.

The switch-on and switch-off times are typically the times at which the sun sets and rises. The midpoint of these two reference points is the time referred to as Virtual Midnight. The overall time interval between switch-on and switch-off points is called On Time.

Notice

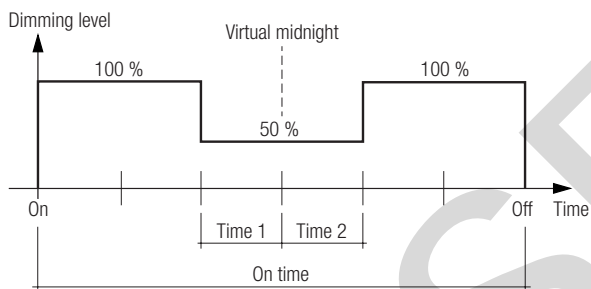
When calculating the On-Time, only values between 2 and 24 hours are counted. Values less than 2 hours could indicate a power failure and are therefore not saved. For settings longer than 24 hours, 24 hours is saved as the maximum possible value.

Two different output profiles are used to adjust the function settings. These profiles define which parameters can be adjusted.

Profile 1: Setting Time 1 and Time 2

Two time intervals can be defined using Profile 1 (formerly U6M): Time 1 defines how many hours before Virtual Midnight the lighting is dimmed to a lower level; Time 2 defines how many hours after Virtual Midnight the dimming level is raised again.

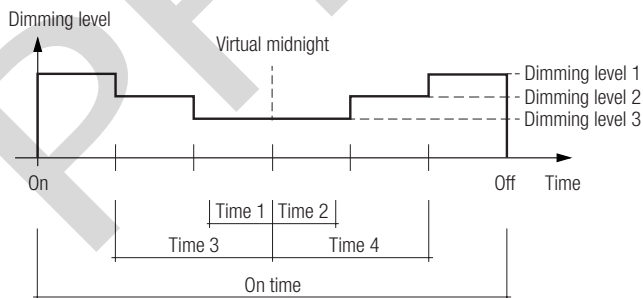
The two dimming levels are preset to fixed percentage values that cannot be modified.



Time 1 and Time 2 can be set via ON/OFF cycles of the mains supply voltage (programming mode 1).

Profile 2: Setting Time 1, 2, 3, and 4 and Dimming level 1, 2 and 3

Profile 2 can be used to define four time intervals and three dimming levels. The combination of values allows more precise control of the dimming level at different times before and after Virtual Midnight.



Programming

With appropriate software and a USB interface different functions can be activated and various parameters can be configured in the PCI outdoor DIM. All that is needed is a DALI-USB and the software (masterCONFIGURATOR).

masterCONFIGURATOR

For programming the device configuration and for resetting.

① For further information of the programming use the product manual please visit www.tridonic.com

Temperature range

The t_a temperature value is the basis for specifying the rated life.

The relationship between the t_c temperature and the t_a temperature depends on the design of the luminaire.

PCIS outdoor chronoSTEP is designed for an average life of 60,000 hours under rated conditions, with a failure probability of less than 10 %. This corresponds to an average failure rate of 0.2 % per 1,000 hours of operation.

The specified t_c temperature is the maximum permitted value (rated temperature according to EN 61347 -1). Above this safety-related value the thermal cutout protects the device against damage.

The expected life-time values are shown in the following table. The t_c values are the relevant values here.

Expected life-time

Type	Lamp type	Lamp power	t_a	40 °C	50 °C	55 °C	60 °C
PCS 70 outdoor DIM chronoSTEP	HS	1x70 W	t_c	55 °C	65 °C	70 °C	x
			Life-time	> 100,000 h	80,000 h	60,000 h	x
PCIS 100 outdoor DIM chronoSTEP	HI/HS	1x100 W	t_c	55 °C	65 °C	70 °C	x
			Life-time	> 100,000 h	80,000 h	60,000 h	x
PCIS 150 outdoor DIM chronoSTEP	HI/HS	1x150 W	t_c	60 °C	70 °C	75 °C	x
			Life-time	> 100,000 h	80,000 h	60,000 h	x

Isolation and electric strength testing of luminaires

Electronic devices can be damaged by high voltage. This has to be considered during the routine testing of the luminaires in production.

According to IEC 60598-1 Annex Q (informative only!) or ENEC 303-Annex A, each luminaire should be submitted to an isolation test with 500 V_{DC} for 1 second. This test voltage should be connected between the interconnected phase and neutral terminals and the earth terminal.

The isolation resistance must be at least 2 MΩ.

As an alternative, IEC 60598-1 Annex Q describes a test of the electrical strength with 1500 V_{AC} (or 1.414 x 1500 V_{DC}). To avoid damage to the electronic devices this test must not be conducted.

Storage conditions

Humidity: 5 % up to max. 85 %,
not condensed
(max. 56 days/year at 85 %)

Storage temperature: -40 °C up to max. +80 °C

The devices have to be within the specified temperature range (t_a) before they can be operated.

Additional information

Additional technical information at
www.tridonic.com → Technical Data

Guarantee conditions at
www.tridonic.com → Services

No warranty if device was opened.