

I-SELECT 2 PLUG PRE / EXC Sets

General

Product description

- Ready-for-use resistor to set output current value
- Compatible with LED Driver featuring I-select 2 interface; not compatible with I-select (generation 1)
- Resistor is base isolated
- Resistor power 0.25 W
- Current tolerance $\pm 2\%$ additional to output current tolerance
- Compatible with LED Driver series PRE and EXC

Example of calculation for third party resistors

- $R [k\Omega] = 5 V / I_{out} [mA] \times 1000$
- Resistor value tolerance $\leq 1\%$; resistor power $\geq 0.1 W$; base isolation necessary
- When using a resistor value beyond the specified range, the output current will automatically be set to the minimum value (resistor value too big), respectively to the maximum value (resistor value too small)

**Standards**, page 3

Set packaging

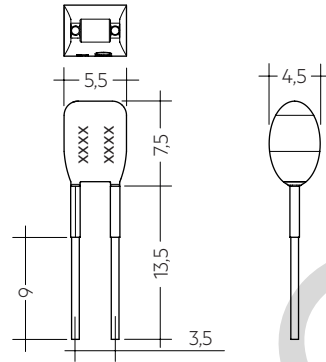


I-SELECT 2 PLUG PRE / EXC Sets

General

Technical data

Power	0.25 W
Resistor value tolerance	1 %
Current tolerance additional to output current tolerance	± 2 %



Ordering data

Type	Article number	Packaging bag	Weight per pc.
High Range Current I-SELECT 2 PLUG Set	28002044	60 pc(s).	0.032 kg
Mid Range Current I-SELECT 2 PLUG Set	28002043	60 pc(s).	0.032 kg
Low Range Current I-SELECT 2 PLUG Set	28002042	60 pc(s).	0.032 kg

1. Standards

EN 50581:2012

2. Set content

Type	Article number	Type	Marking	Current	Packaging bag
High Range Current I-SELECT 2 PLUG Set (28002044)	28001118	I-SELECT 2 PLUG 700MA BL	0700 mA	700 mA	10 pc(s).
	28001122	I-SELECT 2 PLUG 900MA BL	0900 mA	900 mA	10 pc(s).
	28001124	I-SELECT 2 PLUG 1000MA BL	1000 mA	1,000 mA	10 pc(s).
	28001125	I-SELECT 2 PLUG 1050MA BL	1050 mA	1,050 mA	10 pc(s).
	28001132	I-SELECT 2 PLUG 1400MA BL	1400 mA	1,400 mA	10 pc(s).
Mid Range Current I-SELECT 2 PLUG Set (28002043)	28001099	I-SELECT 2 PLUG MAX BL	MAX	MAX	10 pc(s).
	28001112	I-SELECT 2 PLUG 400MA BL	0400 mA	400 mA	10 pc(s).
	28001116	I-SELECT 2 PLUG 600MA BL	0600 mA	600 mA	10 pc(s).
	28001118	I-SELECT 2 PLUG 700MA BL	0700 mA	700 mA	10 pc(s).
	28001122	I-SELECT 2 PLUG 900MA BL	0900 mA	900 mA	10 pc(s).
Low Range Current I-SELECT 2 PLUG Set (28002042)	28001125	I-SELECT 2 PLUG 1050MA BL	1050 mA	1,050 mA	10 pc(s).
	28001099	I-SELECT 2 PLUG MAX BL	MAX	MAX	10 pc(s).
	28001106	I-SELECT 2 PLUG 250MA BL	0250 mA	250 mA	10 pc(s).
	28001108	I-SELECT 2 PLUG 300MA BL	0300 mA	300 mA	10 pc(s).
	28001110	I-SELECT 2 PLUG 350MA BL	0350 mA	350 mA	10 pc(s).
	28001114	I-SELECT 2 PLUG 500MA BL	0500 mA	500 mA	10 pc(s).
	28001118	I-SELECT 2 PLUG 700MA BL	0700 mA	700 mA	10 pc(s).
	28001099	I-SELECT 2 PLUG MAX BL	MAX	MAX	10 pc(s).