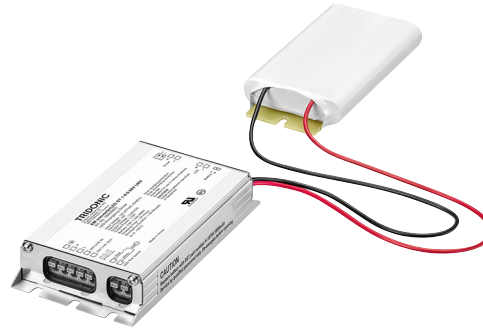


#### EM converterLED ST 60 V UNV

SELFTEST series (US applications)

#### Product description

- Emergency lighting LED Driver with self-test function
- Only for US applications
- Battery pack enclosed
- For self-contained emergency lighting
- For LED modules with a forward voltage up to 57 V
- Class 2
- UL certified
- For luminaire installation
- 5-year guarantee



#### Properties

- Non maintained operation
- Self-test
- 90 minutes rated duration
- Compatible with most constant current LED Drivers (see 5.2)
- 3-pole technology: 2-pole LED module changeover and delayed power switching for the LED Driver
- Automatic shutdown of output if LED load is out of range
- Constant power output
- Combined status display LED and test switch
- Electronic charge system
- Deep discharge protection
- Short-circuit-proof battery connection
- Polarity reversal protection for battery
- Self-test:
  - Status of the battery
  - Status of the LED
  - Function test
  - Duration test

#### Batteries

- High-temperature cells
- NiMH batteries
- 5-year guarantee for NiMH batteries



**Standards**, page 3

**Wiring diagrams and installation examples**, page 3



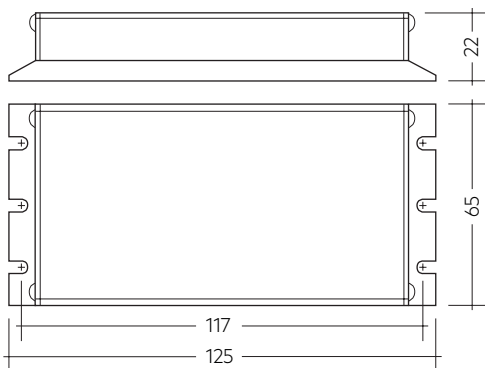


#### EM converterLED ST 60 V UNV

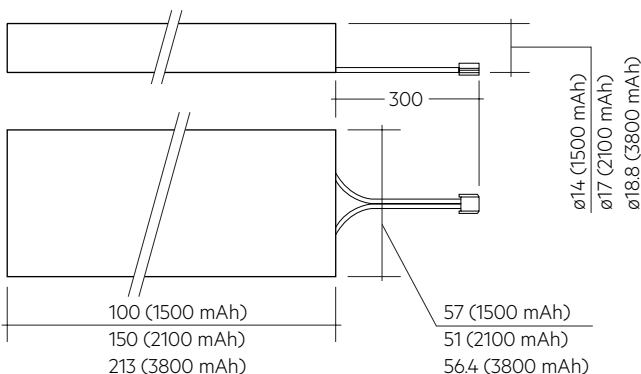
SELFTEST series (US applications)

#### Technical data

Rated supply voltage	120 – 277 V
Mains frequency	50 / 60 Hz
Typ. $\lambda$	0.5C
Output current	see chapter 5.1
Starting time	< 0.25 s from detection of emergency event
Overvoltage protection	305 V
U-OVT (including open- / short-circuit and double load)	60 V
Max. open circuit voltage	60 V
Ambient temperature range $t_a$	0 ... +50 °C
Max. casing temperature $t_c$	70 °C
Mains voltage changeover threshold emergency mode	30 V
Mains voltage changeover threshold mains mode	70 V
Type of protection	IP20
Functional test	Monthly 30 s test
Duration test	Yearly 90 minutes test
Dimensions LxWxH	125 x 65 x 22 mm



Note: Do not change the position of the DIP switches.



#### Ordering data

Type <sup>®</sup>	Article number	Rated duration	Packaging, carton	Packaging, pallet	Weight per pc.
EM converterLED ST 1-9-5 60V UNV	28002863	1.5 h	16 pc(s).	960 pc(s).	0.42 kg
EM converterLED ST 1-9-9 60V UNV	28002866	1.5 h	16 pc(s).	960 pc(s).	0.54 kg
EM converterLED ST 1-9-15 60V UNV	28002869	1.5 h	12 pc(s).	720 pc(s).	0.82 kg

#### Specific technical data

Type	Mains voltage	LED module forward voltage range	Typ. output power P emergency	Mains current in charging operation			Rated power in charging operation		
				Initial charge	Fast recharge	Trickle charge	Initial charge	Fast recharge	Trickle charge
EM converterLED ST 1-9-5 60V UNV	120 V	13 – 57 V	5 W	40 mA	36 mA	5.1 mA	2.1 W	1.8 W	0.5 W
	277 V	13 – 57 V	5 W	25 mA	22 mA	3.7 mA	2.5 W	2.0 W	0.5 W
EM converterLED ST 1-9-9 60V UNV	120 V	14 – 57 V	9 W	51 mA	50 mA	5.9 mA	2.9 W	2.8 W	0.5 W
	277 V	14 – 57 V	9 W	30 mA	29 mA	4.2 mA	3.2 W	2.8 W	0.6 W
EM converterLED ST 1-9-15 60V UNV	120 V	15 – 57 V	15 W	62 mA	68 mA	6.9 mA	3.9 W	3.9 W	0.6 W
	277 V	15 – 57 V	15 W	38 mA	39 mA	4.8 mA	4.0 W	4.0 W	0.6 W

<sup>®</sup> EM = Emergency

**1. Standards**

UL 924  
 FCC Part 15, Class A  
 ICES-005

Product not designed for European Economic Area.

This device complies with Part 15 of the FCC Rules. Operation is subject to the following two conditions:

- (1) this device may not cause harmful interference, and
- (2) this device must accept any interference received, including interference that may cause undesired operation.

**2. Thermal details and life-time**

**2.1 Life-time**

Average life-time 50,000 hours under rated conditions with a failure rate of less than 10 %. Average failure rate of 0.2% per 1000 operating hours.

**Expected life-time**

Type	ta	40 °C	50 °C	55 °C	60 °C
	tc	55 °C	65 °C	70 °C	75 °C
<b>EM converterLED ST 1-9-x 60V UNV</b>	life-time	65,000 h	55,000 h	50,000 h	45,000 h

The emergency lighting LED Driver is designed for a life-time stated above under reference conditions and with a failure probability of less than 10 %.

The relation of tc to ta temperature depends also on the luminaire design.

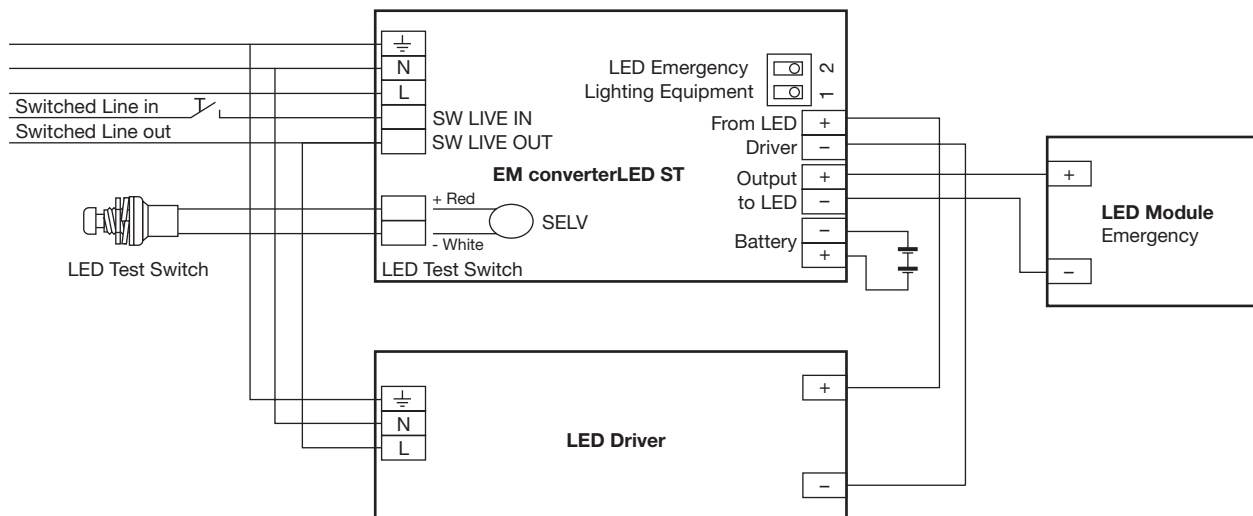
If the measured tc temperature is approx. 5 K below tc max., ta temperature should be checked and eventually critical components (e.g. ELCAP) measured. Detailed information on request.

**3. Installation / Wiring**

**3.1 Wiring diagram**

One or more LED modules with a total forward voltage in the forward voltage range of the EM converterLED can be connected. These LED module(s), marked with "Emergency" are operated in emergency mode from the associated battery. In normal mains mode all LED modules are operated by the mains LED Driver.

**EM converterLED SELFTEST with one LED module for mains and emergency operation**

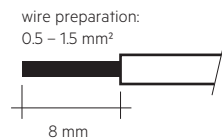


### 3.2 Wiring type and cross section

Solid wire with a cross section of 0.5 – 1.5 mm<sup>2</sup>.

Strip 8 mm of insulation from the cables to ensure perfect operation of terminals.

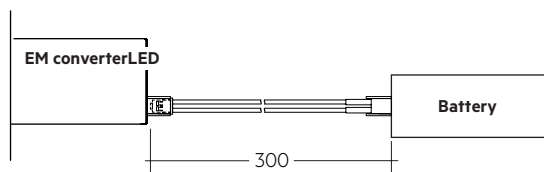
Wiring: LED module/LED Driver/supply



Battery connection

- Plug connection 300 mm

### 3.3 Battery connection



### 3.4 Wiring guidelines

- For good EMC compliance consider that the output to the LED is DC but has high frequency content.
- Separate LED leads from the mains connection and wiring for good EMC performance.
- Keep the LED wiring as short as possible for a good EMC performance.
- Route the secondary wires (LED module) in parallel to ensure good EMC performance.
- Maximum lead length for the LED test switch connection is 250 mm / 9.84 inch. Separate the LED test switch wiring from the LED leads to prevent noise coupling.
- To avoid the damage of the control gear, the wiring must be protected against short circuits to earth (sharp edged metal parts, metal cable clips, louver, etc.).

### 3.5 Maximum lead length

LED test switch	250 mm
Battery	1000 mm

### 3.6 Use of different phases

The use of different phases for switched line and unswitched line is prohibited.

## 4. Mechanical values

### 4.1 Housing properties

- Casing manufactured from metal.
- Type of protection: IP20
- The housing incorporates DIP switches. The position of the DIP switches is essential for the correct operation and must not be changed. Altering their position will prohibit the correct operation of the emergency lighting LED Driver.

### 4.2 Mechanical data accessories

LED test switch

- Mounting hole 4.2 mm diameter
- Mounting hole strength < 5 mm
- Lead length 250 mm
- For direct installation or use in a separate junction box

5. Electrical values

5.1 Typ. LED current/voltage characteristics

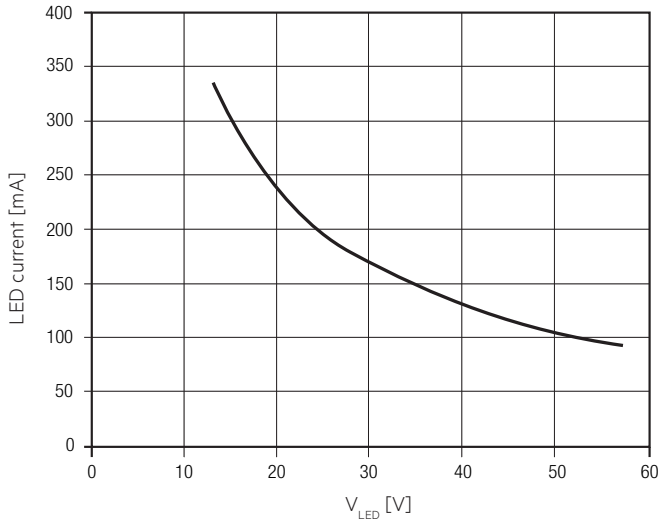
The LED current in emergency mode is automatically adjusted by the EM converterLED module based on the total forward voltage of the LED modules connected and the associated battery. The start of the LED in emergency mode does not result in a current peak.

EM converterLED ST 1-9-5 60V UNV

Article number: 28002863

NiMH battery, 9.6 V battery voltage

540 – 630 mA battery discharge current (tolerance)

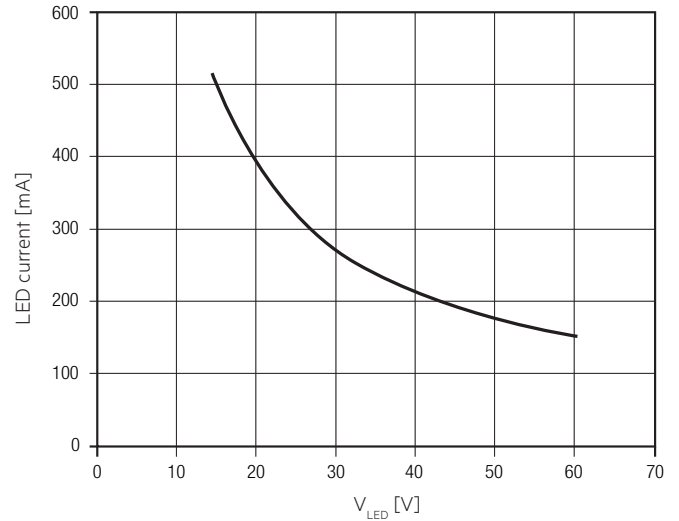


EM converterLED ST 1-9-9 60V UNV

Article number: 28002866

NiMH battery, 10.8 V battery voltage

860 – 1,150 mA battery discharge current (tolerance)

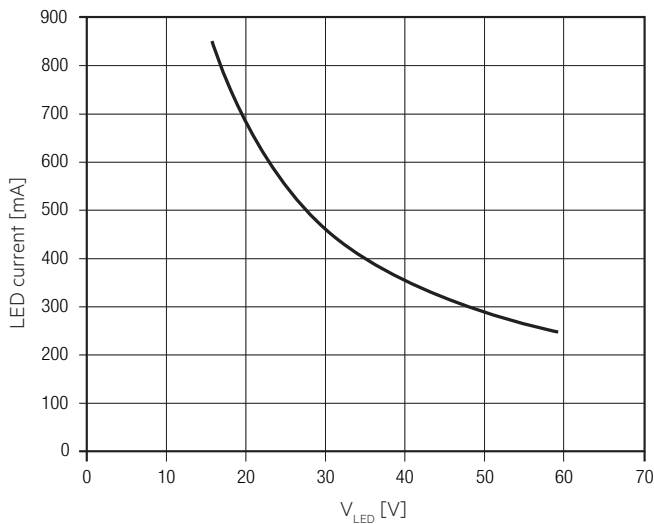


EM converterLED ST 1-9-15 60V UNV

Article number: 28002869

NiMH battery, 10.8 V battery voltage

1,410 – 1,720 mA battery discharge current (tolerance)



## 5.2 LED Driver compatibility

The EM converterLED emergency unit use 3 pole technology and is compatible with most LED Drivers on the market, however it is important to check that the rating of the LED Driver does not exceed the values specified below:

- The max. allowed output current rating of the associated LED Driver is 5 A peak (current rating of switching relays of EM converterLED)
- The max. allowed output voltage of the associated LED Driver applied to the EM converterLED output is 60V (voltage withstand between adjacent contact of the single switching relay of the EM converterLED)
- The max. allowed LED load of the associated LED Driver is 300 W in operation. The load must be an LED module.

## 6. Functions

### 6.1 Status indication

System status is indicated by LED test switch.

LED indication	Status	Comment
Permanent on	System OK	AC mode
Slow flashing (2 sec on – 2 sec off)	Charging	Battery not yet fully charged
Fast flashing (0.5 sec on – 0.5 sec off)	Battery failure	Battery failed the duration test or function test / Battery is defect or deep discharged/ Incorrect battery voltage
Gradual change	Test underway	Function or duration test

### 6.2 Commissioning

After installation of the luminaire and initial connection of the mains supply and battery supply to the EM converterLED ST the unit will commence charging the batteries for the initial charge time.

The recharge occurs also if a new battery is connected.

The following automatic commissioning duration test is only performed when a battery is replaced and fully charged.

### 6.3 Testing

#### Functional test

Functional tests are carried out for 30 seconds on a monthly basis under the control of the Micro controller. Initiation and timing of these tests is set during the commissioning of the luminaire.

#### Duration test

A full duration test is carried out yearly to check the capacity of the batteries.

#### LED test switch

LED test switch can be wired to each EM converterLED ST.

This can be used to:

- Initiate a 30 seconds function test: press two times within 5 s
- Initiate a duration test: press 3 times within 5 s

## 7. Battery data

### 7.1 Battery charge / discharge data

#### EM converterLED ST 1-9-x 60V UNV

Type	EM converterLED ST 1-9-5 60V UNV	EM converterLED ST 1-9-9 60V UNV	EM converterLED ST 1-9-15 60V UNV	
Article no.	28002863	28002866	28002869	
Battery charge time	Initial charge 24 h			
	Fast recharge 24 h			
	Trickle charge continuously			
Charging current	Initial charge	119 mA	153 mA	210 mA
	Fast recharge	90 mA	110 mA	190 mA
	Trickle charge	75 mA	105 mA	190 mA
Discharge current	0.35 C	0.45 C	0.45 C	

### 7.2 Technical data batteries

Type	EM converterLED ST 1-9-5 60V UNV	EM converterLED ST 1-9-9 60V UNV	EM converterLED ST 1-9-15 60V UNV
Article no.	28002863	28002866	28002869
Voltage	9.6 V	10.8 V	10.8 V
Capacity	1,500 mAh	2,100 mAh	3,800 mAh
Discharge cycles	500	500	500

## 8. Miscellaneous

### 8.1 Maximum number of switching cycles

EM converterLEDs are tested with 10,000 mains switching cycles of the associated LED driver.

### 8.2 Additional information

Additional technical information at [www.tridonic.com](http://www.tridonic.com) → Technical Data

Guarantee conditions at [www.tridonic.com](http://www.tridonic.com) → Services

Life-time declarations are informative and represent no warranty claim.  
No warranty if device was opened.