



TE VIPER

Dimming via leading-edge and trailing-edge phase dimmers

Product description

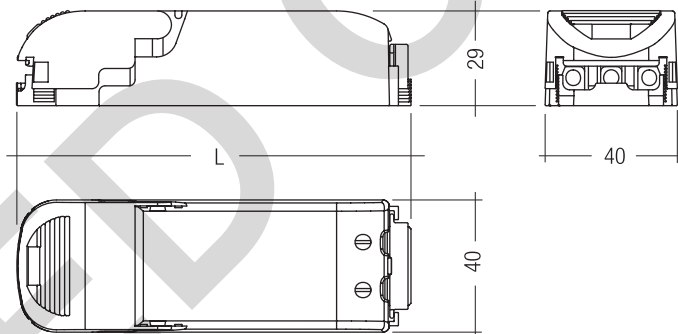
- Short-circuit shutdown feature with automatic restart
- Compact dimensions
- Overtemperature and overload protection
- Large connection compartment
- With soft start (< 1 s)
- Double assignment of the terminal possible
- Screw terminals for rigid and flexible wires
- Ground terminal for through-wiring
- Rapid installation of cable clamp and terminal cover, no tool required
- Not suitable for operation with MR16 LED bulbs

Standards

- EN 55015
- EN 61000-3-2
- EN 61047
- EN 61347-2-2
- EN 61547

Technical data

Mains voltage range	230 – 240 V
Mains frequency	50 / 60 Hz
Dimming	Leading-edge and trailing-edge phase control
Soft-start	< 1 s
λ	> 0.95
Efficiency	> 93 %
Max. cable length secondary	2 m
Protection class	II
Type of protection	IP20



Ordering data

Typ	Article number	Packaging, carton	Packaging low volume	Packaging, high volume	Weight per pc.
TE VIPER 60 VA	22176072	20 pc(s).	280 pc(s).	3,920 pc(s).	0.102 kg
TE VIPER 105 VA	22176074	20 pc(s).	220 pc(s).	3,080 pc(s).	0.127 kg

Specific technical data

Type	Article number	Dimensions L x W x H	Lamp power	Current at 50 Hz 230 V	Secondary voltage 230 V	Secondary voltage 240 V	Operating frequency	Ambient temperature t_a	tc point max.	Secondary terminal	Max. torque terminal block	Terminal diameter on each pole	Stripping length (prim./sec.)
TE VIPER 60 VA	22176072	120 x 40 x 29 mm	20 – 60 VA	0.26 A	11.3 V	11.6 V	55 kHz	0 ... +50 °C	70 °C	2-pin	0.4 Nm	max. 2,5 mm ² min. 1,5 mm ²	8 mm
TE VIPER 105 VA	22176074	141 x 40 x 29 mm	35 – 105 VA	0.45 A	11.0 V	11.5 V	45 kHz	0 ... +45 °C	85 °C	4-pin	0.4 Nm	max. 2,5 mm ² min. 1,5 mm ²	8 mm