

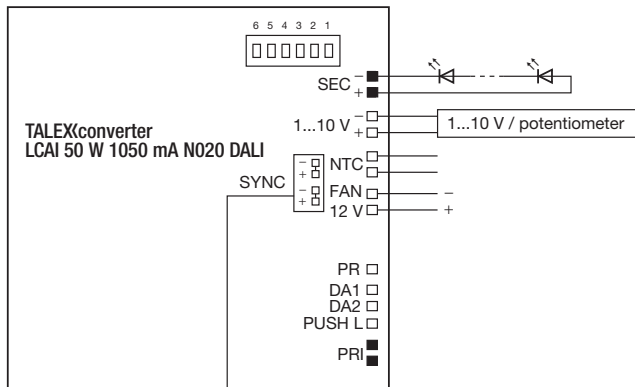




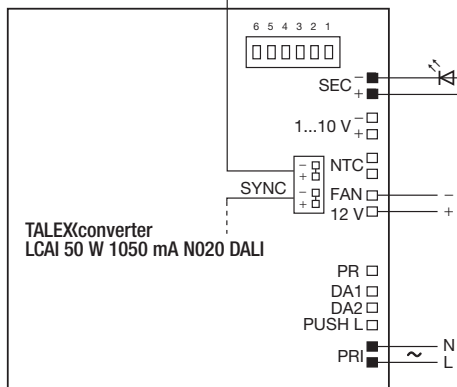




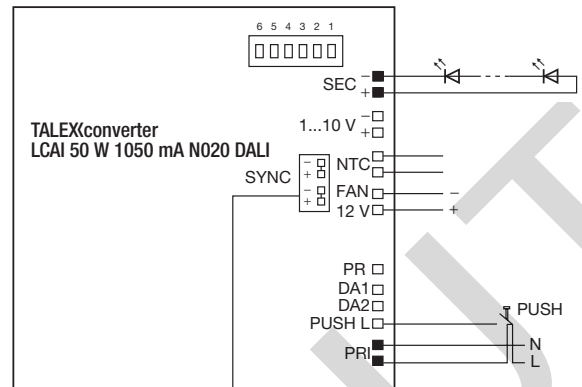
Wiring diagram 1...10 V or potentiometer



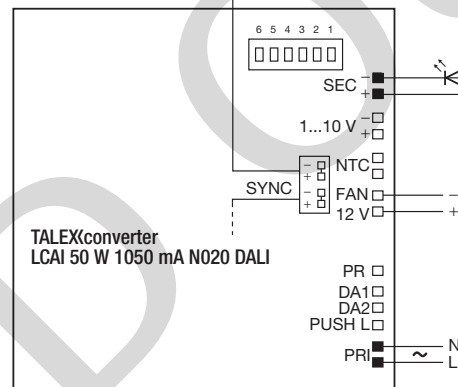
Max. 10 devices in series (1 master + 9 slaves)



Wiring diagram PUSH function



Max. 10 devices in series (1 master + 9 slaves)



Wiring diagram DALI

