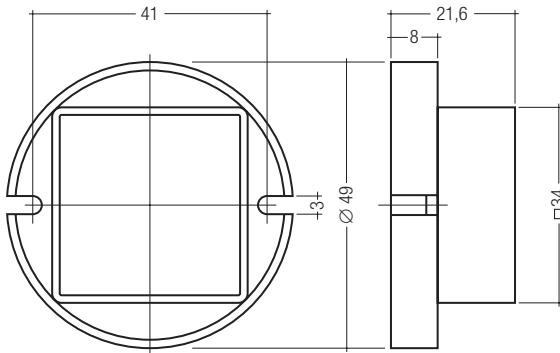


TALEX(module P007 230V AC



Applications:

- safety lighting, indicator and orientation lights, effect lighting

Highlights:

- maximum possible beam angle for uniform illumination (thanks to COB technology)
- direct connection to 230V supply voltage
- potted, protection rating IP 65
- easy installation
- low profile

Properties:

- high-power LED in COB technology
- colour temperature white: warm white (WW): 3,000 K neutral white (NW): 4,200 K
- integrated current source to stabilise luminous flux
- broad 140° light distribution for uniform illumination
- PC-housing
- mains supply cable 2 m, 2 x 1.5 mm², type HO5RN-F, with end ferrules

Packaging:

box of 20

Designed according to:

EN 55015
EN 55022
EN 61000-3-2
EN 61547

TALEX		P007 R 230V AC	P007 A 230V AC	P007 G 230V AC	P007 B 230V AC	P007 WW 230V AC	P007 NW 230V AC
type							
article number		86455691	86455739	86455708	86455717	86457951	86455723
colour		red	amber	green	blue	warm white	neutral white
wavelength	nm	624–630	586–592	520–540	460–465	3,000 K	4,200 K
primary voltage ②	V AC	230	230	230	230	230	230
primary voltage range	V AC	207–253	207–253	207–253	207–253	207–253	207–253
input current at 230V 50 Hz	A	0.07	0.07	0.05	0.05	0.05	0.05
input power ①	W	2	2	2	2	2	2
frequency	Hz	50/60	50/60	50/60	50/60	50/60	50/60
typ. luminous flux ①	lm	20.0	15.0	22.0	5.0	19.0	24.5
ambient temperature ta ③	°C	-25 → +45	-25 → +45	-25 → +45	-25 → +45	-25 → +45	-25 → +45
tc point ③	°C	70	70	70	70	70	70
weight	g	170	170	170	170	170	170
protection rating		IP 65	IP 65	IP 65	IP 65	IP 65	IP 65

all values at ta = 25 °C

① Tolerance range for optical and electrical data: ±15 %

② Exceeding the maximum operating voltage leads to an overload on the TALEX(module).

This may in turn result in a significant reduction in lifetime or even destruction of the TALEX(module).

③ If the maximum temperature limits are exceeded, the life of the module will be greatly reduced or the module may be damaged. The temperature of the TALEX(module) at the tc point in the thermally stable state by means of a temperature sensor or temperature-sensitive sticker (available for example from www.conrad.com, www.rs-components.com) as per EN60598-1.