

Control C003 DALI RGB

Dimmable

Product description

- 3-channel DALI dimming controller
- For 24 V LED modules
- With integrated sequencer for standalone operation (factory default: activated)
- Compact dimensions
- Short-circuit protection with automatic restart
- Overtemperature protection
- Screw terminal
- DALI control input
- 3 addressable output channels



Standards, page 3

Wiring diagrams and installation examples, page 3



PHASED OUT

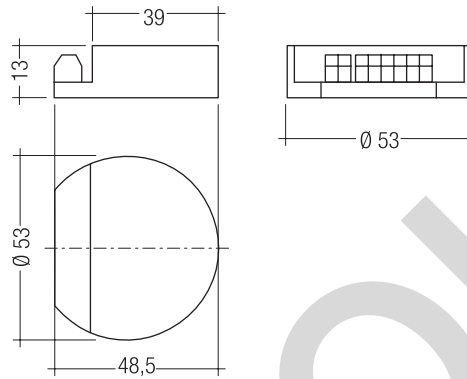


Control C003 DALI RGB

Dimmable

Technical data

DC voltage range ^①	8 – 24 V (SELV)
Max. supply current	1.8 A
Power consumption	20 mA
Control input, interface, dimming	DALI
Control input, power draw	2 mA
Control input, polarity reversal protection	Yes
Number of output channels	3 (RGB)
Output signal	PWM, 125 Hz
Output voltage range ^①	8 – 24 V (SELV)
Output, dimming range	0.1 – 100 %
Output current	max. 0.6 A / channel
Output, overcurrent protection	Yes
Output, short-circuit protection	Yes, reversible
Output, overtemperature protection	Yes
Ambient temperature t_a	-25 ... +55 °C
Max. casing temperature	65 °C



Ordering data

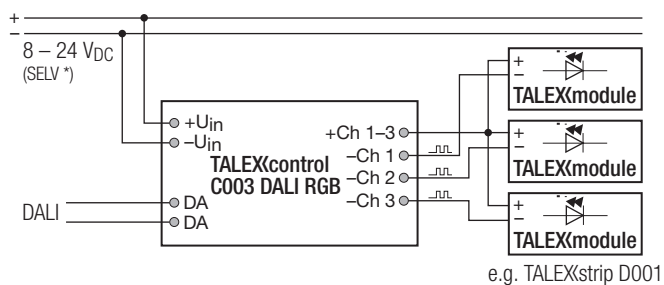
Type	Article number	Packaging, carton	Weight per pc.
C003 DALI RGB	28000863	80 pc(s).	0.02 kg

^① SELV to be provided by the supply unit, e.g. Converter LCU 35 W.

Standards
EN 61347-1
EN 61347-2-13
EN 61547
EN 62384

Installation instructions

wire	wire cross section	wire preparation: 0.75–1.5□
solid	1.5 mm ²	
flexible	1.0 mm ²	
flexible with ferrule	0.75 mm ²	



Example wiring diagram

TALEXcontrol LED C003 as stand alone sequencer in combination with TALEXcontrol LED C004 PWM booster

