

Control C002

Dimmable

Product description

- 3-channel PWM sequencer
- For RGB colour control of LED modules
- For 12 or 24 V DC LED modules
- For monochrome or RGB modules
- With integrated cable clamp and terminal cover
- Short-circuit protection
- Protection against rapid transients, overvoltage and polarity reversal
- 4-pole screw terminal on the primary side
- 6-pole screw terminal on the secondary side
- Rapid installation of the cable clamp, no tools required



Standards, page 3

Wiring diagrams and installation examples, page 3

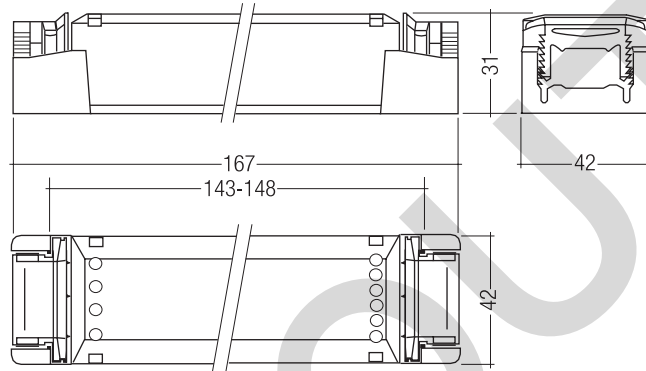


Control C002

Dimmable

Technical data

DC voltage range	12 – 24 V
Max. supply current	6 A
Control input analogue	1 ... 10 V
Control input, potentiometer	100 kΩ, linear
Output + pole	–
Output, - pole red	2 A
Output, - pole green	2 A
Output, - pole blue	2 A
Output voltage range	12 – 24 V
Ambient temperature t_a	0 ... +50 °C



Ordering data

Type	Article number	Packaging, carton	Weight per pc.
C002	86454968	10 pc(s).	0.084 kg

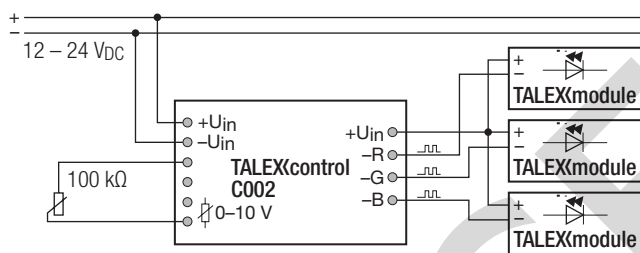
Standards
EN 61347-1
EN 61347-2-13
EN 61547
EN 62384

The 3 channel PWM sequencer is part of the Control product range and enables the dynamic colour change of RGB modules using pulse width modulation.

PWM, with a frequency of approximately 200 Hz, is generated on each channel by a default characteristic flow line and modulated to the 12-24 V input voltage. The 1-10 V control input provides the 10 V control voltage required itself and is therefore also perfectly suited to use with a passive potentiometer (100 K lin.).

The common + terminal allows an integrated protection against fast transients, overvoltage and reversed polarity connection.

Circuit diagram



Functions of the control input

<1.2 V	starting threshold
1.2-9.8 V	sequence speed 15 sec – 15 min
>9.8 V	holding the current colour