

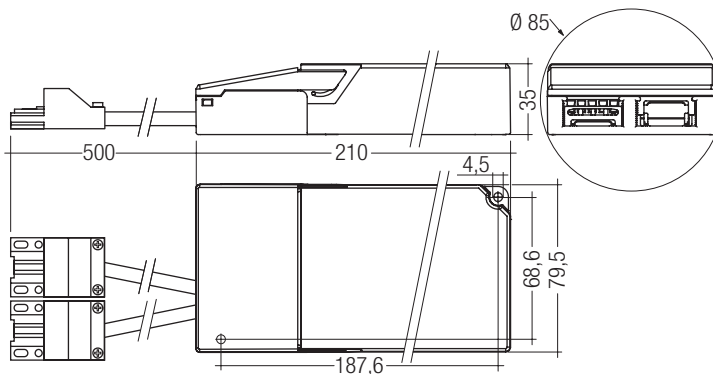
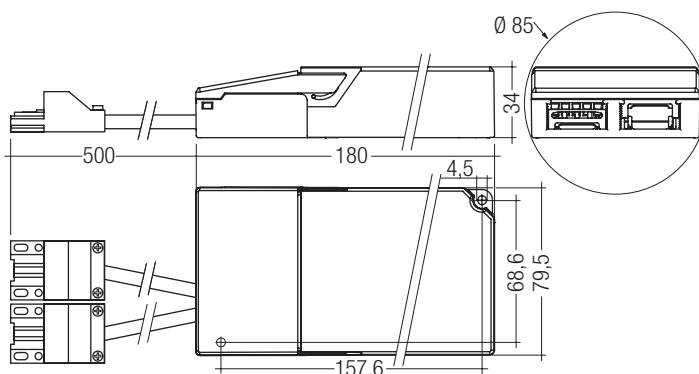


PCI B521 Twin ST

PCI PRO, remote applications

Product description

- For metal halide lamps
- Also for mobile luminaires with connectors
- Pulse packets for increased ignition energy (pulseCONTROL technology)
- With patented circuit elements
- Halogen-free lamp cable with ST18 socket and interlock lug
- Flicker-free light
- Colour stability thanks to constant power
- Guaranteed long life
- No acoustic resonance
- Two independent lamp output circuits
- Safety shutdown of an affected lamp circuit if a lamp is missing or faulty
- Greatly reduced reignition time
- Hardly any EMC interference in the ignition phase
- Automatic shutdown on overheating
- Through wiring possible
- No tools required for installing the terminal cover and cable clamps
- Screw terminals: $\leq 1.5 \text{ mm}^2$ for stranded wire, $\leq 2.5 \text{ mm}^2$ for solid wire
- Casing, one-part, polyamide, black



Technical data

Mains voltage range	220 – 240 V
AC voltage range	198 – 254 V
DC voltage range	153 – 320 V
Mains frequency	0 / 50 / 60 Hz
Max. ignition voltage	5 kVp
Operating frequency	145 Hz
Type of protection	IP20



Standards, page 2

Wiring diagrams and installation examples, page 2

Ordering data

Type	Article number	Packaging, carton	Packaging, pallet	Weight per pcs.
For luminaires with 2 lamps				
PCI 2/35 B521 ST	86458338	12 pieces	288 pieces	0.45 kg
PCI 2/70 B521 ST	86458339	12 pieces	252 pieces	0.54 kg

Specific technical data

Lamp wattage	Lamp type	Type	Article number	Dimensions L x W x H	Lamp power	Circuit power ^①	EEL	Efficiency	Current at 50 Hz 230 V	λ at 50 Hz 230 V	Max. cable length to lamp	tc point max.	Ambient temperature ta	tc/ta for $\geq 50,000 \text{ h}$
For luminaires with 2 lamps														
2 x 35 W	HI	PCI 2/35 B521 ST	86458338	180 x 79.5 x 34 mm	2 x 39 W	87 W	A2	> 89 %	0.38 A	0.97	per 3 m / 240 pF	65 °C	-25 ... +50 °C	65/50 °C
2 x 70 W	HI	PCI 2/70 B521 ST	86458339	210 x 79.5 x 35 mm	2 x 72 W	158 W	A2	> 91 %	0.70 A	0.97	per 3 m / 240 pF	75 °C	-25 ... +45 °C	75/45 °C

① At ta = 25 °C.

