



Magnetic chokes
Compact lamps

EC 21–38 W 230 V 50 Hz



Figure 1:

- $t_w = 130\text{ °C}$
- push terminal 0.5–1.5 mm²

Figure 2:

- $t_w = 130\text{ °C}$
- ConCut – IDC terminal 0.5–1.5 mm²
- optimised for automated wiring in luminaires
- authorized for BJB and ALF automatic wiring machines

Packaging core stack length 50 and 54:

5 off, banded
1400 pieces/pallet

Packaging core stack length 90:

5 off, banded
1000 pieces/pallet

Figure 1

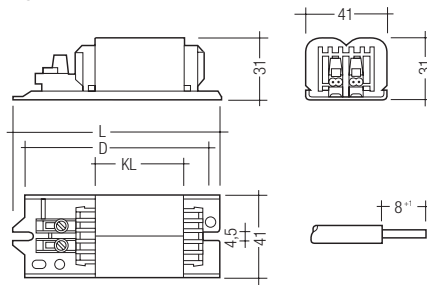
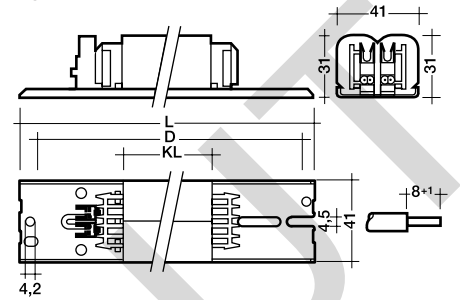


Figure 2



Certified:
EN 60921
EN 61347-1
EN 61347-2/8

Lamp			Choke									P. F. Correction			③
watt- age W	type	nominal lamp current A	type	article number	fig.	length L mm	core stack length KL mm	fixing centres D mm	weight kg	ΔT K	λ	parallel compensation capacitor $\mu\text{F} \pm 10\%$ 250V	② line current A	series comp. capacitor $\mu\text{F} \pm 4\%$	

Energy Efficiency Index EEI = B1

21	TC-DD	0.260	EC 21 B501K 230/50	22148752	2	151	50	110–144	0.50	35	0.42	3.0	0.11	–	A
24	TC-L	0.345	EC 18 B501K 230/50	22148749	2	191	90	150–184	0.85	30	0.39	3.0	0.13	2.5 / 450 V	A
26	TC-D	0.325	EC 18 B501K 230/50	22148749	2	191	90	150–184	0.85	30	0.43	3.0	0.14	2.5 / 450 V	A
28	TC-DD	0.320	EC 18 B501K 230/50	22148749	2	191	90	150–184	0.85	30	0.46	3.0	0.15	–	A
36	TC-L	0.430	EC 36 B501K 230/50	22148758	2	191	90	150–184	0.85	30	0.44	4.5	0.22	3.4 / 450 V	A
38	TC-DD	0.430	EC 36 B501K 230/50	22148758	2	191	90	150–184	0.85	30	0.45	4.5	0.22	–	A

Energy Efficiency Index EEI = B2

21	TC-DD	0.260	EC 21 C501K 230/50	22148753	2	151	50	110–144	0.50	35	0.42	3.0	0.11	–	A
24	TC-L	0.345	EC 26 OC101K 230/50	22148858	1	110	50	97–105	0.53	50	0.40	3.0	0.15	2.5 / 450 V	B
24	TC-L	0.345	EC 18 LC501K 230/50	22115859	2	151	54	110–144	0.55	50	0.38	3.0	0.15	2.6 / 450 V	A
26	TC-D	0.325	EC 18 LC501K 230/50	22115859	2	151	54	110–144	0.55	45	0.43	3.0	0.15	2.5 / 450 V	A
26	TC-D	0.325	EC 26 OC101K 230/50	22148858	1	110	50	97–105	0.53	45	0.43	3.0	0.15	2.5 / 450 V	B
28	TC-DD	0.320	EC 18 LC501K 230/50	22115859	2	151	54	110–144	0.55	45	0.49	3.0	0.15	–	A
36	TC-L	0.430	EC 36 LC501K 230/50	22115862	2	151	54	110–144	0.55	55	0.44	4.5	0.22	3.4 / 450 V	A
38	TC-DD	0.430	EC 36 LC501K 230/50	22115862	2	151	54	110–144	0.55	50	0.49	4.5	0.23	–	A

Energy Efficiency Index EEI = C

24	TC-L	0.345	EC 18 A501K 230/50 ①	22148441	2	151	50	110–144	0.55	50	0.42	3.0	0.14	2.5 / 450 V	B
26	TC-D	0.325	EC 18 A501K 230/50 ①	22148441	2	151	50	110–144	0.55	45	0.46	3.0	0.15	2.5 / 450 V	B
28	TC-DD	0.320	EC 18 A501K 230/50 ①	22148441	2	151	50	110–144	0.55	40	0.48	3.0	0.15	–	B
36	TC-L	0.430	EC 36 A501K 230/50 ①	22116285	2	151	50	110–144	0.50	55	0.49	4.5	0.22	3.4 / 450 V	B
36	TC-L	0.430	EC 36 LA501K 230/50 ①	22148440	2	151	54	110–144	0.55	55	0.49	4.5	0.22	3.4 / 450 V	B
38	TC-DD	0.430	EC 36 A501K 230/50 ①	22116285	2	151	50	110–144	0.50	55	0.48	4.5	0.23	–	B
38	TC-DD	0.430	EC 36 LA501K 230/50 ①	22148440	2	151	54	110–144	0.55	55	0.43	4.5	0.23	–	B

① no CE marking according to EC Directive 2000/55/EC

② $\cos \varphi > 0.9$

③ A ... standard article

B ... on request