

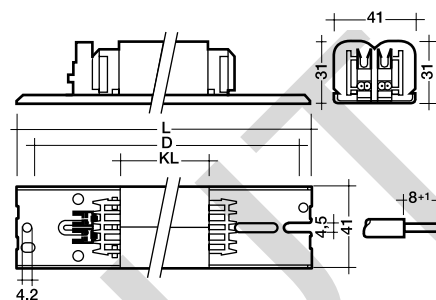
Magnetic chokes
Linear lamps
EC 18–42 W 240 V 50 Hz


- $t_w = 130\text{ °C}$
- ConCut – IDC terminal 0.5–1.5 mm²
- optimised for automated wiring in luminaires
- authorized for BJB and ALF automatic wiring machines

Packaging:

core stack length 50 and 54
 5 off, banded
 1400 pieces/pallet

core stack length 90
 5 off, banded
 1000 pieces/pallet



Certified:
 EN 60921
 EN 61347-1
 EN 61347-2/8

Lamp				Choke								P. F. Correction			③
watt- age W	length mm	dia- meter mm	nominal lamp current A	type	article number	length L mm	core stack length KL mm	fixing centres D mm	weight kg	ΔT K	λ	parallel compensation capacitor $\mu\text{F} \pm 10\%$ 250V	② line current A	series comp. capacitor $\mu\text{F} \pm 4\%$	

Energy Efficiency Index EEI = B1

18	590	26	0.370	EC 18 B502K 240/50	22148765	191	90	150–184	0.850	30	0.29	4.0	0.12	–	A
2x18	590	26	0.41 ④	EC 36 B502K 240/50	22148771	191	90	150–184	0.850	30	0.45	4.0	0.19	–	A
23	970	26	0.290	EC 18 B502K 240/50	22148765	191	90	150–184	0.850	25	0.38	3.0	0.13	–	A
30	895	26	0.365	EC 30 LB502K 240/50	22148768	191	90	150–184	0.865	30	0.41	4.0	0.15	–	A
36	1.200	26	0.430	EC 36 B502K 240/50	22148771	191	90	150–184	0.850	35	0.41	4.0	0.20	–	A
38	1.047	26	0.430	EC 36 B502K 240/50	22148771	191	90	150–184	0.850	35	0.44	4.0	0.21	–	A
U40	607	38	0.430	EC 36 B502K 240/50	22148771	191	90	150–184	0.850	35	0.45	4.0	0.22	–	A
φ40	φ409	30	0.415	EC 36 B502K 240/50	22148771	191	90	150–184	0.850	30	0.46	4.0	0.22	–	A

Energy Efficiency Index EEI = B2

18	590	26	0.370	EC 18 LC502K 240/50	22148708	151	54	110–144	0.540	50	0.30	4.0	0.12	–	A
φ22	φ216	28	0.400	EC 30 C502K 240/50	22149241	151	50	110–144	0.500	75	0.32	4.0	0.16	–	A
23	970	26	0.290	EC 18 LC502K 240/50	22148708	151	54	110–144	0.540	35	0.40	3.0	0.12	–	A
30	895	26	0.365	EC 30 C502K 240/50	22149241	151	50	110–144	0.500	65	0.45	4.0	0.17	–	A
36	1.200	26	0.430	EC 36 LC502K 240/50	22148709	151	54	110–144	0.548	55	0.44	4.0	0.22	–	A
38	1.047	26	0.430	EC 36 LC502K 240/50	22148709	151	54	110–144	0.548	55	0.47	4.0	0.22	–	A
2x18	590	26	0.41 ④	EC 36 LC502K 240/50	22148709	151	54	110–144	0.548	50	0.49	4.0	0.10	–	A
φ40	φ409	30	0.415	EC 36 LC502K 240/50	22148709	151	54	110–144	0.548	50	0.49	4.0	0.23	–	A
U40	607	38	0.430	EC 36 LC502K 240/50	22148709	151	54	110–144	0.548	55	0.49	4.0	0.22	–	A

Energy Efficiency Index EEI = C

18	590	26	0.370	EC 18 A502K 240/50 ①	22115884	151	50	110–144	0.500	55	0.33	4.0	0.13	–	B
2x18	590	26	0.41 ④	EC 36 A502K 240/50 ①	22115890	151	50	110–144	0.500	55	0.51	4.0	0.21	–	B
φ22	φ216	28	0.400	EC 30 A502K 240/50 ①	22148769	151	50	110–144	0.500	75	0.32	4.0	0.16	–	B
23	970	26	0.290	EC 18 A502K 240/50 ①	22115884	151	50	110–144	0.500	45	0.42	3.0	0.13	–	B
30	895	26	0.365	EC 30 A502K 240/50 ①	22148769	151	50	110–144	0.500	65	0.45	4.0	0.17	–	B
φ32	φ307	30	0.450	EC 32 A502K 240/50	22148770	151	50	110–144	0.500	70	0.41	4.0	0.22	–	A
36	1.200	26	0.430	EC 36 A502K 240/50 ①	22115890	151	50	110–144	0.500	60	0.46	4.0	0.22	–	B
38	1.047	26	0.430	EC 36 A502K 240/50 ①	22115890	151	50	110–144	0.500	60	0.47	4.0	0.23	–	B
U40	670	38	0.430	EC 36 A502K 240/50 ①	22115890	151	50	110–144	0.500	60	0.49	4.0	0.23	–	B
φ40	φ409	30	0.415	EC 36 A502K 240/50 ①	22115890	151	50	110–144	0.500	60	0.50	4.0	0.23	–	B

① no CE marking according to EC Directive 2000/55/EC

② $\cos \varphi > 0.9$

③ A ... standard article

B ... on request

④ lamp current, measured in parallel connection