

DALI PS2

DALI power supply

Product description

- For supplying 240 mA for DALI devices or control modules without their own power supplies
- For installation in switching cabinets
- 5 years guarantee



Wiring diagrams and installation examples, page 3



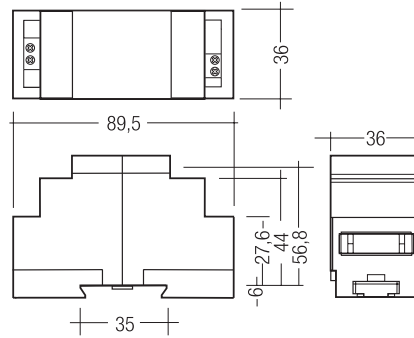


DALI PS2

DALI power supply

Technical data

Rated supply voltage	220 – 240 V
Mains frequency	50 / 60 Hz
Typ. rated current (at 230 V, 50 Hz, full load)	65 mA
Power	5 W
Output voltage	16 V ±5 %
Max. output current, DALI	240 mA
Operating temperature	0 ... +50 °C
Max. casing temperature t_c	80 °C
Storage temperature	0 ... +70 °C
Type of protection	IP20
Dimensions L x W x H	89.5 x 36 x 56.8 mm



Ordering data

Type	Article number	Packaging, carton	Weight per pc.
DALI PS2	28000876	40 pc(s).	0.105 kg

1. Standards

- EN 55015
- EN 61547
- EN 61000-3-2
- EN 61000-3-3
- EN 61347-2-11
- EN 62386-101

1.1 DALI standard

DALI PS2 is designed to supply control gear with DALI standard IEC 60929 (DALI V0) and IEC 62386 (DALI V1).

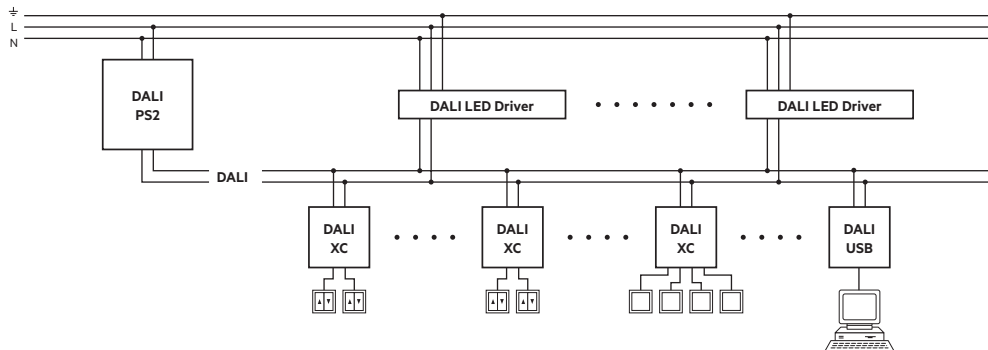
1.2 Glow-wire test

according to EN 60598-1 passed.

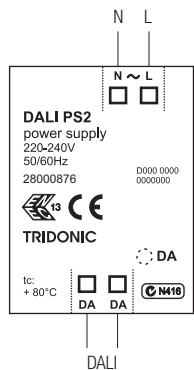
2. Installation

- DALI signals are not SELV. Therefore the same procedures should be applied as working with mains voltage
- Individual DALI circuits must not exceed 240 mA
- The maximum cable length of the DALI signal wires must not exceed 300 m or drop more than 2 V on the signal line voltage

2.1 Wiring

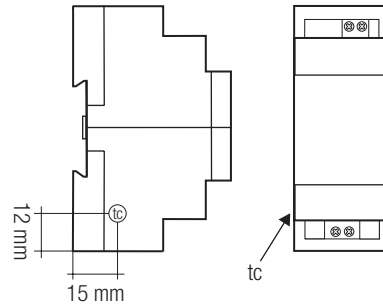


2.2 Circuit diagram



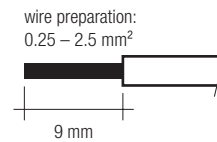
2.3 tc control point

Max. casing temperature tc = 80 °C



2.4 Wiring type and cross section

The wiring can be solid wire, stranded wire or stranded wire with end sleeve with a cross-section of 0.25 mm² to 2.5 mm².



3. Miscellaneous

3.1 Disposal



According to the WEEE directive return old equipment at appropriate collection facilities.

3.2 Additional information

Additional technical information at www.tridonic.com → Technical Data

Guarantee conditions at www.tridonic.com → Services

Lifetime declarations are informative and represent no warranty claim. No warranty if device was opened.