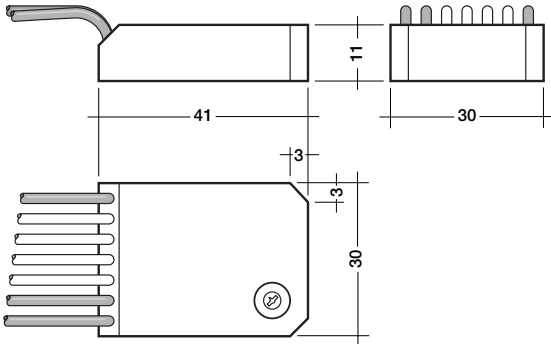


Digital control module with two independent inputs to control (dimming/switching) two DALI groups with conventional momentary switches

DALI GC



Functional description

- Ultra compact control module for dimming and switching of two DALI groups with conventional momentary switches.
- Assigning of momentary switches to specific groups is done by selecting the group range via a turn switch on the back of the module.
- Addressing of individual ballasts and assigning ballasts to DALI groups can be done from each DALI GC module by activating a simple "momentary switch" sequence.
- DALI GC modules allow multi master operation. Multiple control modules can be used on the same comfortDIM DALI network.
- 5-year guarantee

Installation

- The DALI GC is inserted into the mounting box for the momentary switch.
- The DALI GC must not be connected to the mains. It is supplied directly via the DALI signal line.
- The momentary switches are connected directly to the DALI GC (potential free contacts) and must not be connected to the mains.
- DALI signals are not SELV. Therefore the same procedures should be applied as working with mains voltage.
- The connection leads between the momentary switches and the DALI GC must not be lengthened.

type	DALI GC	
article number	24033450	
supply	-	via DALI signal line
current	-	6 mA
input	2 momentary switches	single or twin
output	-	DALI
groups	-	2 from 16/broadcast
temperature	permitted ambient temperature	0 °C – 50 °C

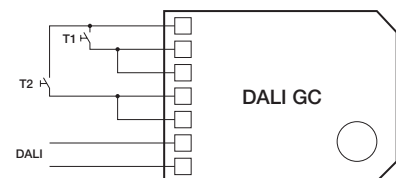
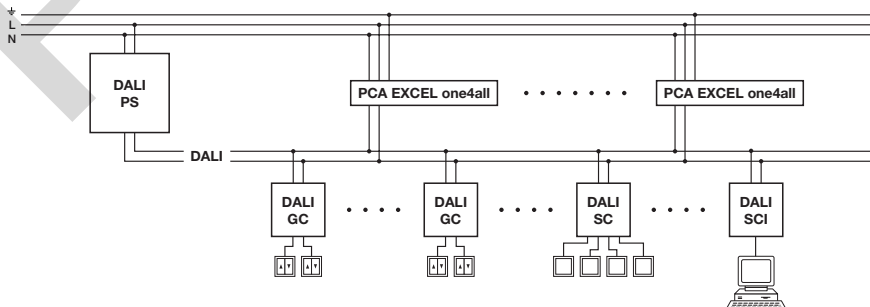


Glow-wire test

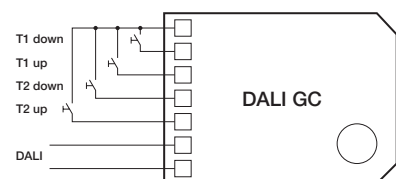
according to EN 60598-1 passed.

DALI standard

The DALI GC is designed to control control gear with DALI standard IEC 60929 (DALI V0) and IEC 62386 (DALI V1).



single momentary switch



twin momentary switch