

DALI DSI

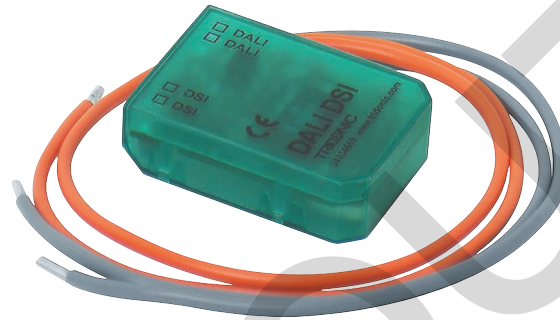
Converter for DALI into DSI signals

Product description

- Converter for converting DALI signals into DSI signals
- For integrating DSI-based devices in DALI lighting control systems
- 1 DSI output for a maximum of 5 DSI devices
- Power supply via DALI line
- 5-year guarantee



Wiring diagrams and installation examples, page 3



PHASED

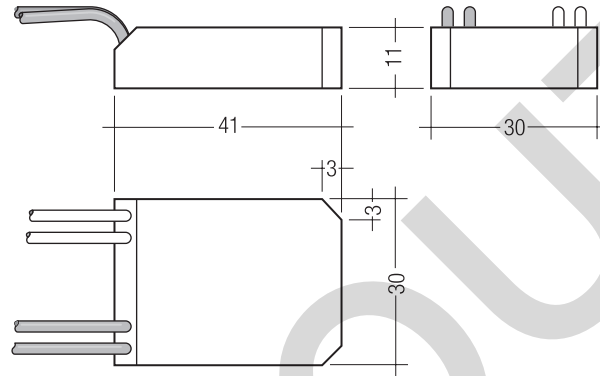


DALI DSI

Converter for DALI into DSI signals

Technical data

Supply via	DALI cable
Ambient temperature t_a	0 ... +50 °C
Type of protection	IP20



Ordering data

Type	Article number	Packaging, carton
DALI DSI	24034689	1 pc(s).

Specific technical data

Type	Inputs			Outputs	
	DALI control input	Current draw	Number of DALI addresses	Digital control line DSI	Control output per physical output (devices)
DALI DSI	1	16 mA from DALI	1	1	5

1. Standards

1.1 DALI standard

The DALI DSI is designed to control control gear with DALI standard IEC 60929 (DALI V0).

1.2 Glow-wire test

according to EN 60598-1 passed.

2. Common

Functional description

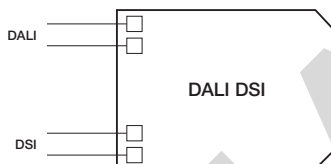
- The converter module converts DALI commands into DSI signal so that all DSI-based operating devices presently available, such as PCA ECO ballasts, TEL transformers or PHD phase dimmers, can be integrated in DALI lighting control systems.
- The DALI DSI operates whilst the programming mode equal to a PCA EXCEL one4all, i.e. the DALI DSI has its own address and can be assigned to groups and scenes.

Note: No status feedback possible.

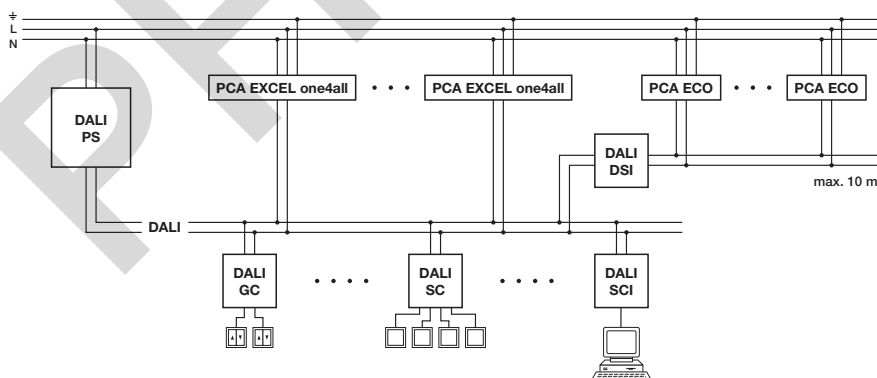
3. Installation

- The DALI DSI can easily be installed into a luminaire or flush socket.
- The DALI DSI must not be connected to the mains. It is supplied directly via the DALI signal line.
- DALI signals are not SELV. Therefore the same procedures should be applied as working with mains voltage.

3.1 Connection diagram



3.2 Wiring



4. Miscellaneous

4.1 Additional information

Additional technical information at www.tridonic.com → Technical Data

Guarantee conditions at www.tridonic.com → Services

Life-time declarations are informative and represent no warranty claim.
No warranty if device was opened.