

DALI 3-RM-C

DALI control module for 3 relays

Product description

- Control of up to three standard 24 V DC contactors
- 1 DALI address per output
- 5-year guarantee



Standards, page 3

Wiring diagrams and installation examples, page 3



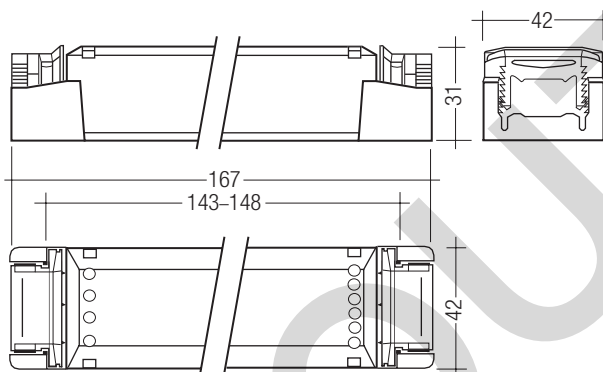


DALI 3-RM-C

DALI control module for 3 relays

Technical data

Input voltage AC	198 – 254 V
Input voltage DC	200 – 240 V
Mains frequency	0 / 50 / 60 Hz
Power	< 30 W
Ambient temperature t_a	-25 ... +45 °C
Type of protection	IP20



Ordering data

Type	Article number	Packaging, carton	Weight per pc.
DALI 3-RM-C	28000868	20 pc(s).	0.155 kg

Specific technical data

Type	Inputs			Outputs	
	DALI control input	Current draw	Number of DALI addresses	Output voltage DC	Output power
DALI 3-RM-C	1	2 mA from DALI	3	3 x 24 V	25 W

Standards

EN 61558-2-17
EN 61547
EN 55015
EN 61000-3-2
IEC 60929 (according to DALI standard V0)

Glow-wire test

according to EN 61347-1 passed.

Function

- DALI controller for controlling up to three standard 24 V DC contactors
- Can also be used for status display purposes; via 24 V signal lamps
- Each output can be controlled separately

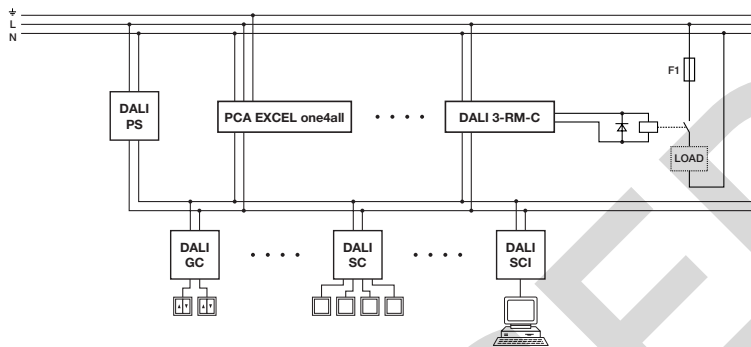
Properties

- Three independent short DALI addresses with a DALI power consumption of 2 mA
- Short-circuit shutdown feature with automatic restart
- DC supply possible
- Constant output voltage
- Strain relief and terminal cover
- Captive screw terminal
- Maximum cable cross-section 2.5 mm²
- Protection class 2

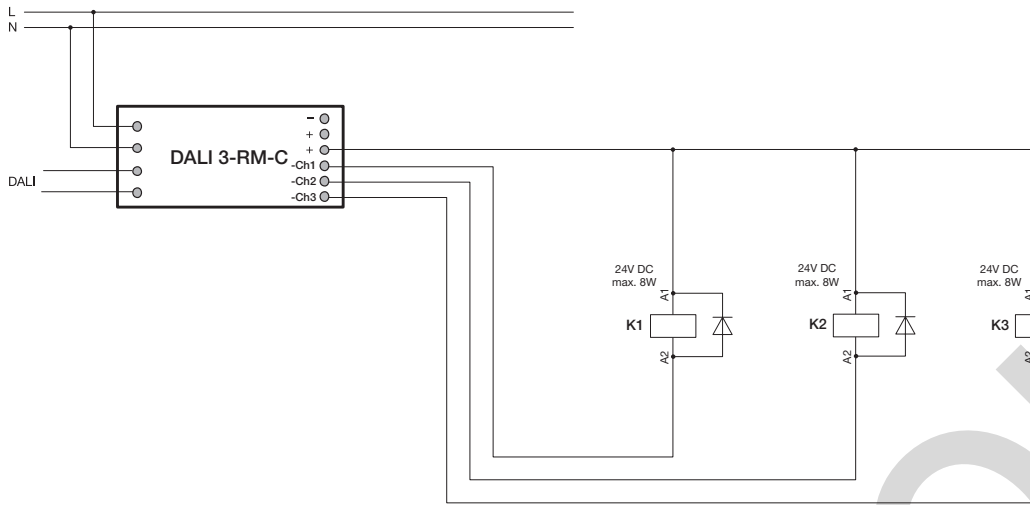
Assembly/installation

- The DALI 3-RM-C is connected to the DALI bus and to the mains supply.
- The contactor coils must be equipped with an appropriate threshold diode.
- 24 V signal lamps can be connected directly.
- DALI is not SELV. The installation instructions for low voltage therefore apply.

Wiring

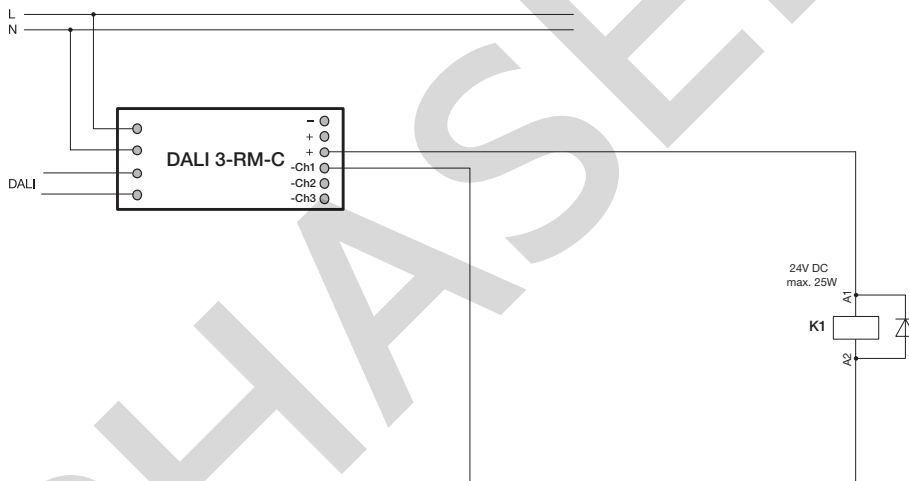


Circuit diagram for three contactors with a maximum power of 8 W



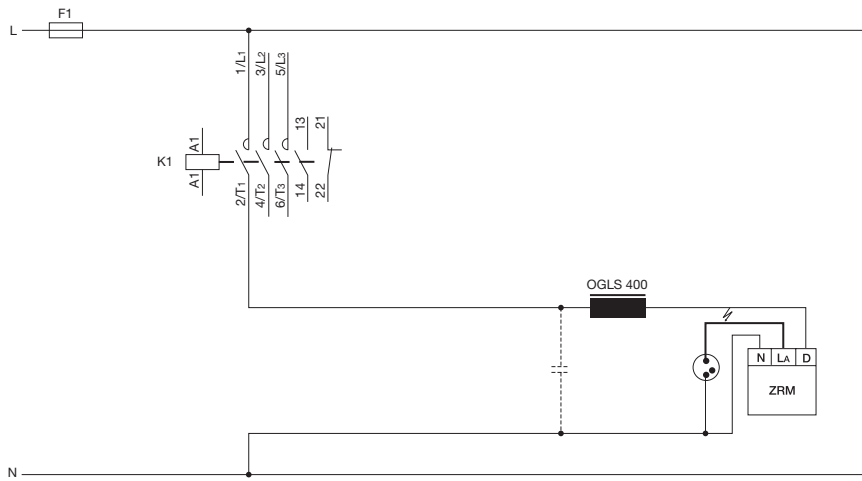
The contactors must be equipped with an appropriate threshold diode. Operation without a threshold diode is not permitted. The controller is designed for a maximum load of 25 W. This load can be split among the three channels. The loads may be distributed asymmetrically.

Circuit diagram for one contactor with a maximum power of 25 W



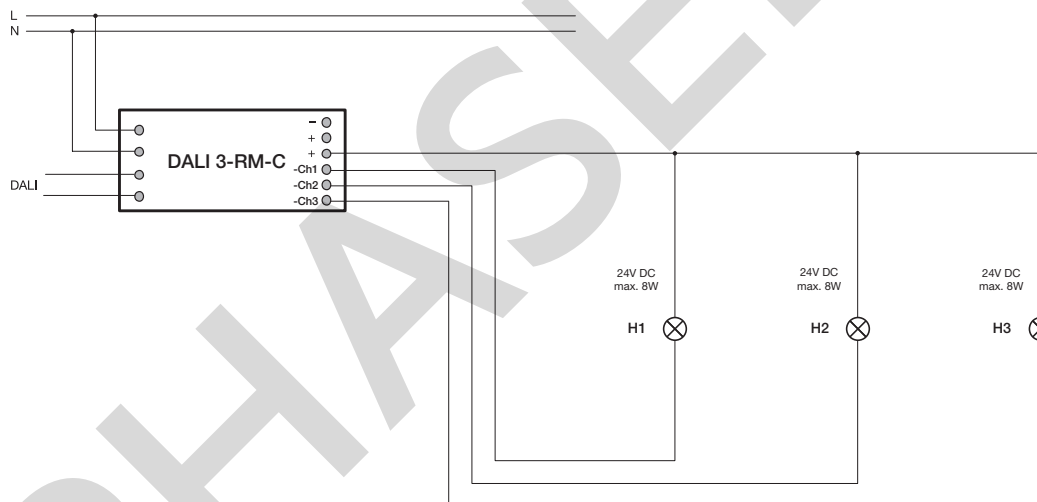
Outputs Ch1 and Ch3 may not be short-circuited. The entire output may flow via one output.

Example of a main circuit



Please check the inrush currents of the switched loads. Electronic control gear may have very high inrush currents. Check with the contactor manufacturer.

Circuit diagram for three 24 V signal lamps



Signal lamps can be connected directly. The controller is designed for a maximum load of 25 W. This load can be split among the three channels. The loads may be distributed asymmetrically.