

DALI XC G3 CWM 30 DA2

DALI-2 control module with switch inputs

Product description

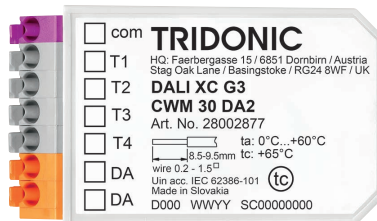
DALI-2 input controller

- Compatible with all DALI-2 certified Application Controller
- Suitable only for DALI-2 certified or compatible lighting control systems, not compatible with Tridonic's comfortDIM system
- 4 independent inputs enabling connection of floating contact, standard momentary-action switches
- Multiple DALI XCs possible on the DALI-2 line
- Power supply via DALI-2 line
- Connection wires according to the terminal colours with 25 cm length included
- 5 years guarantee



Standards, page 3

Wiring diagrams and installation examples, page 3



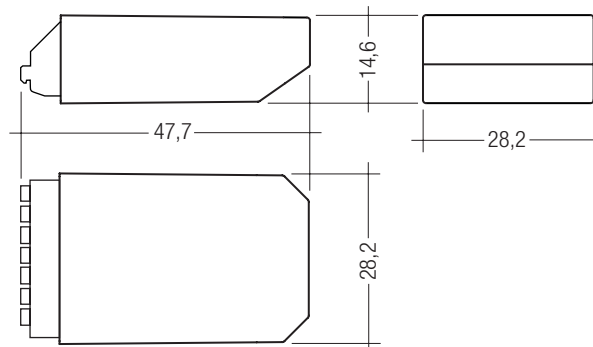


DALI XC G3 CWM 30 DA2

DALI-2 control module with 4 freely programmable inputs

Technical data

Supply via	DALI-2
Supply voltage ^①	9,5 – 22,5 V
Current draw	max. 10 mA
Input	4 momentary-action switches or relais
Ambient temperature t_a	0 ... +60 °C
t_c	65 °C
Storage temperature	-25 ... +60 °C
Humidity	20 ... 90 % (non-condensing)
Turn on time	≤ 6 s
Type of protection	IP20
Mounting	Mounting box 60 x 61 mm (ø x D)
Casing material	Lexan 923
Casing colour	Light grey, similar to RAL 7035
Dimension L x W x H	47,7 x 28,2 x 14,6 mm



Ordering data

Type	Article number	Packaging, carton	Weight per pc.
DALI XCG3 CWM 30 DA2	28002877	60 pc(s).	0.087 kg

^① Uin acc. IEC 62386-101.

1. Standards

EN 61347-1
EN 55015
EN 61347-2-11
EN 61547
EN 62386-101
EN 62386-103
EN 62386-301
EN 62386-332

1.1 DALI note



Device is developed according to DALI Standard EN 62386-101 Ed.2, also known as DALI-2.

To be able to use the device in such installation, an application controller is necessary.

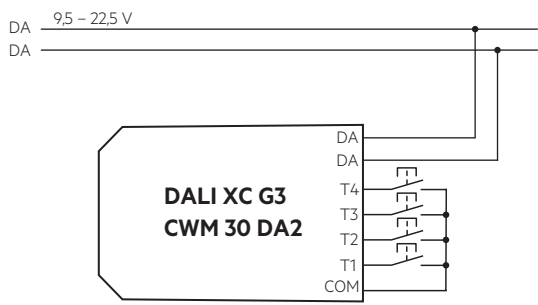
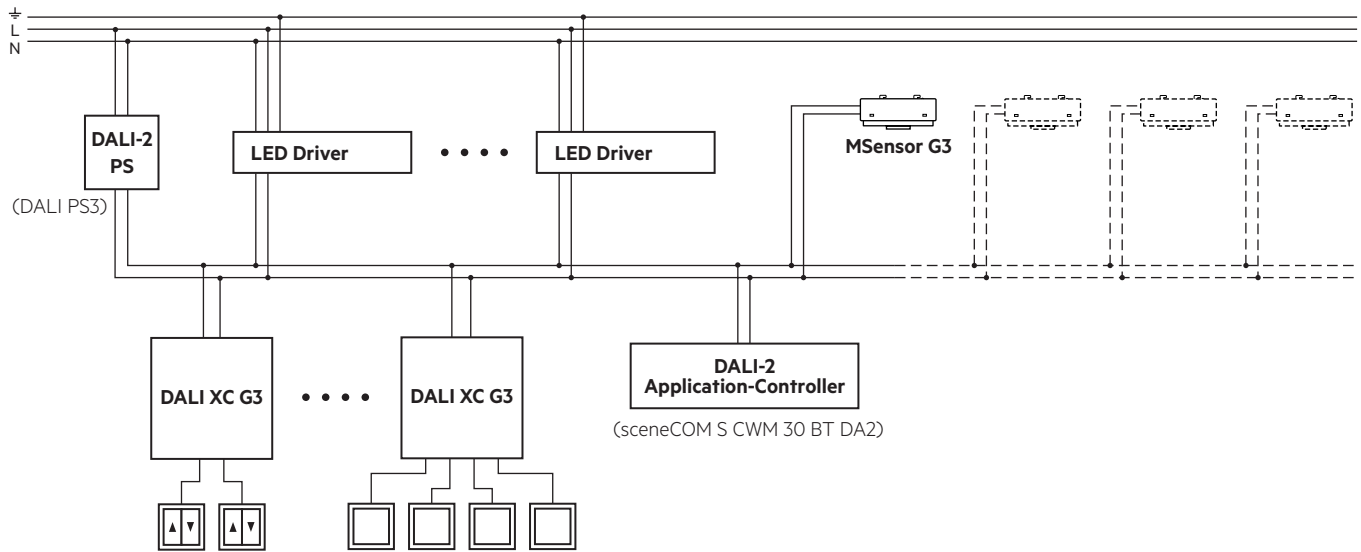
1.2 Glow wire test

according to EN 61347-2-11 passed for temperatures up to 850°C.

2. Installation

- Device can be inserted into the mounting box for the momentary switch.
- Device must not be connected to the mains. It is supplied directly via the DALI-2 signal line.
- The momentary switches are connected directly to the device (potential free contacts) and must not be connected to the mains.
- DALI-2 signals are not SELV. Therefore the same procedures should be applied as working with mains voltage.
- Only one momentary switch each device output.
- Multiple devices can be used on the same DALI-2 network.

2.1 Connection diagrams

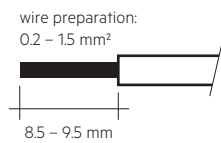


2.2 Wiring type and cross section

The wiring can be solid wire or stranded wire with end sleeve with a cross-section of 0.2 mm² to 1.5 mm².

Maximum cable length between momentary switch and device is 50 cm.

Connecting wires are supplied inside the package.



2.3 Terminals

- Orange = DALI D1 and D2
- Grey = Push button inputs T1 - T4
- Purple = Push button common

2.4 Terminal and instance description

Device supports the full push button functionality according to IEC62386-301. The device has 4 button terminals.

These correspond to the 4 implemented DALI 301 instances:

Terminal	Instance nr.
T1	0
T2	1
T3	2
T4	3

4. Miscellaneous

4.1 Disposal



According to the WEEE directive return old equipment at appropriate collection facilities.

4.2 Additional information

Additional technical information at www.tridonic.com → Technical Data

Guarantee conditions at www.tridonic.com → Services

Lifetime declarations are informative and represent no warranty claim. No warranty if device was opened.