

#### DALI RM CDM 30 10A 1CH

DALI-2 single channel relay

#### Product description

- DALI-2 Relay
- Compatible with DALI and DALI-2 versions
- Compliant to EN 62386-208
- 1 channel actuator (switch) with DALI-2 input
- Protected against DALI over voltage
- Suitable for switchboard mount on standard DIN rail
- Mains rated dry-contact (volt-free) potential free relay output
- Compliant DALI device type 7
- Small dimensions
- 5 years guarantee (conditions at [www.tridonic.com](http://www.tridonic.com))

#### Interfaces

- DALI

#### Functions

- Optimized for electronic loads with high in-rush currents like LED Drivers, which have short but very high peaks of in-rush currents
- Switching of loads with inrush currents up to 490 A / 1.5 ms
- Compliant with common DALI-2 controllers and gateways
- DALI backwards compatible



**Standards**, page 3

**Wiring diagrams and installation examples**, page 4



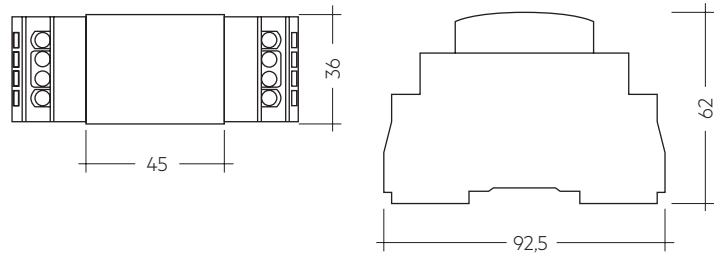


### DALI RM CDM 30 10A 1CH

DALI-2 single channel relay

#### Technical data

Rated supply voltage	220 – 240 V
Mains frequency	50 / 60 Hz
Current consumption of DALI	2 mA
Input	DALI
Output	Potential free contact
Relay type	non-latching, normally open
Output load (resistive / inductive)	10 A / 6 A
In-rush current (peak / duration)	490 A / 15 ms
Relay switching cycles <sup>①</sup>	50,000
Ambient temperature $t_a$	-20 ... +45 °C
Storage temperature $t_s$	-20 ... +65 °C
Humidity	20 ... 90 % (non-condensing)
Starting time	≤ 0.3 s
Type of protection	IP20
Protection class	Protection class II
Mounting	DIN rail mounting, 35 mm
Housing material	Polycarbonat
Housing colour	White (RAL 9003)
Guarantee (conditions at <a href="http://www.tridonic.com">www.tridonic.com</a> )	5 years
Dimension L x W x H	92.5 x 36 x 62 mm



#### Ordering data

Type	Article number	Packaging, carton	Weight per pc.
DALI RM CDM 30 10A 1CH	28003311	40 pc(s).	0.088 kg

<sup>①</sup> Max. switch cycles per hour are 360. One cycle is either close or open.

## 1. Standards

EN 55015  
EN 60669-2-1  
EN 61000-3-2  
EN 61000-3-3  
EN 62386-208  
EN 62386-101 Ed.2  
EN 62386-102 Ed.2

### 1.2 Glow wire test

according to EN 61347-2-11 passed for temperatures up to 750°C.

## 2. Common

- Loads that do not have a DALI input can be integrated in the DALI circuit. The loads can be switched on and off via DALI.

## 3. Installation

### 3.1 Safety instructions

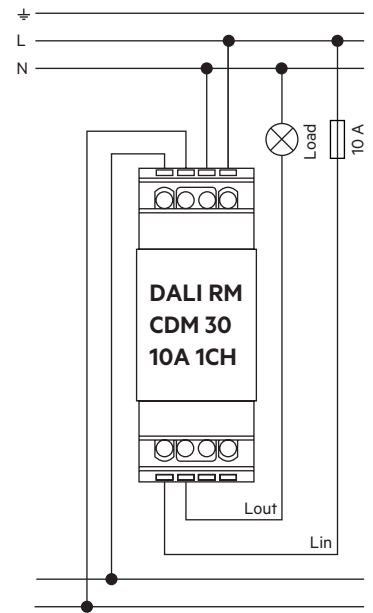
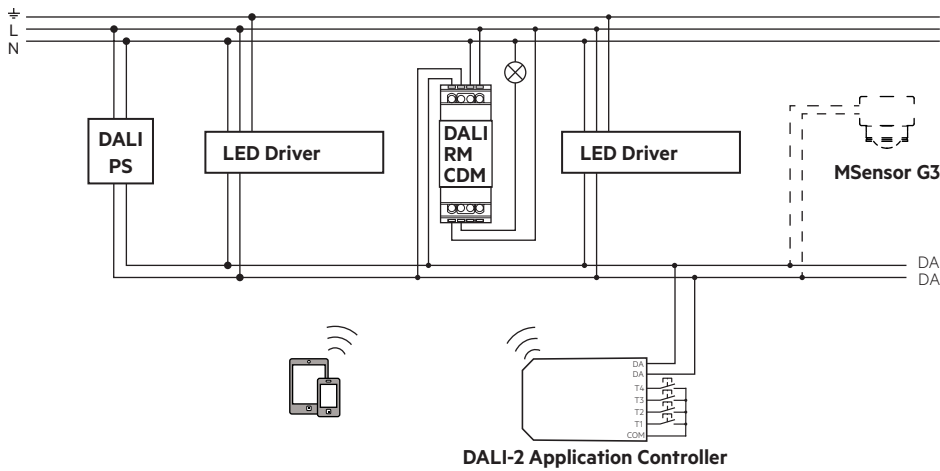
- Do not connect the device to DC (direct current) voltage, as this will damage the device.
- Do not create a short circuit on the secondary side, as this will damage the device.  
It is recommended to connect the device with a residual current circuit breaker (RCD) or a circuit breaker with a rated value not higher than 10 A to the secondary side to protect the device in case of a short circuit.
- Installation of this device may only be carried out by specialist staff who have provided proof of their skills.
- The power supply must be switched off before handling the device.
- The relevant safety and accident prevention regulations must be observed.
- DALI signals are not SELV. Therefore the same procedures should be applied as working with mains voltage.

### 3.2 Area of application

The device may only:

- be used for the applications specified,
- for safe installation in dry, clean environment and
- be installed in such a way that access is only possible using a tool.

3.3 Connection diagrams



3.4 Installation

Mount the DALI relay on DIN rail inside a mains rated enclosure as shown in fig. 1.

To remove from DIN rail, release the clip mechanism with a flat blade screw driver, as per fig. 2.

Fig. 1

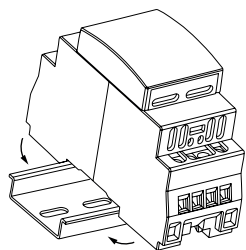
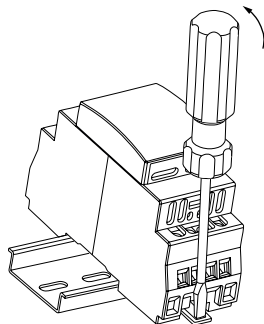
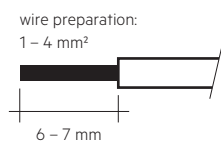


Fig. 2



3.5 Wiring type and cross section

The wiring can be solid wire or stranded wire with end sleeve with a cross-section of 1 to 4 mm<sup>2</sup>.



3.6 Note for Application Controller

Device is developed according DALI Standard EN 62386-208 and is DALI device Type 7, control gear – Switching function.

4. Miscellaneous

4.1 Disposal of equipment



Return old devices in accordance with the WEEE directive to suitable recycling facilities.

4.2 Additional information

Additional technical information at [www.tridonic.com](http://www.tridonic.com) → Technical Data

Lifetime declarations are informative and represent no warranty claim. No warranty if device was opened.