

Data secondary terminal

Possible Wiring

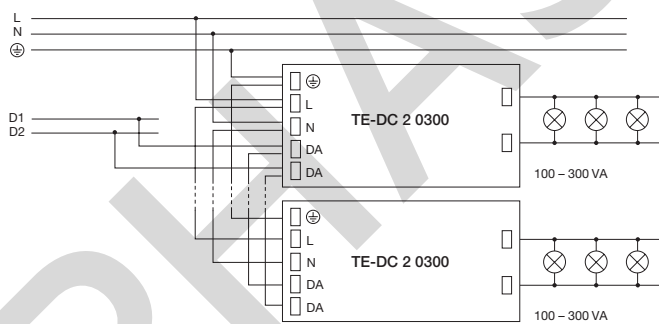
Clamping area	0.33 – 16.00 mm ²
Single wire / H05(07) V-U	0.5 – 16.00 mm ²
braided wire / H05(07) V-K	0.5 – 10.00 mm ²
braided wire / DIN 46228-1	2.5 – 10.00 mm ²
braided wire / DIN46228-4	2.5 – 10.00 mm ²
plug gage / EN 60999	Ø 5.3 (B6)



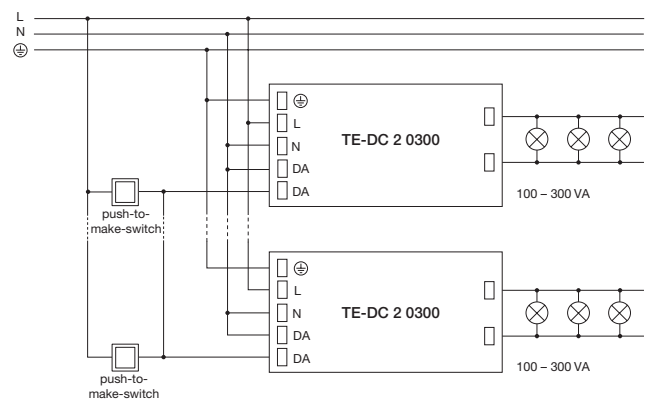
Definiton plug gauge

Conductor cross-section		Plug gauge					
		Form A			Form B		
Flexible conductor	Rigid conductor (solid or stranded)	Designation	Diameter a	Width b	Designation	Diameter a	Permissible deviation for a and b
1.5 mm ²	1.5 mm ²	A1	2.4 mm	1.5 mm	B1	1.9 mm	0 – 0.05 mm
2.5 mm ²	2.5 mm ²	A2	2.8 mm	2.0 mm	B2	2.4 mm	
2.5 mm ²	4 mm ²	A3	2.8 mm	2.4 mm	B3	2.7 mm	
4 mm ²	6 mm ²	A4	3.6 mm	3.1 mm	B4	3.5 mm	0 – 0.06 mm
6 mm ²	10 mm ²	A5	4.3 mm	4.0 mm	B5	4.4 mm	
10 mm ²	16 mm ²	A6	5.4 mm	5.1 mm	B6	5.3 mm	

Wiring diagrams

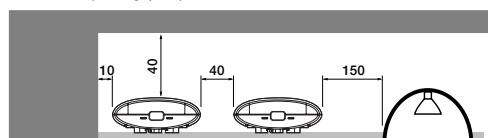


DALI / DSI



switchDIM

Minimum spacing (mm)



Wiring guidelines

- Earth only needed for special functional reasons, but if earth will be connected it has to be a protectional earth (PE).